

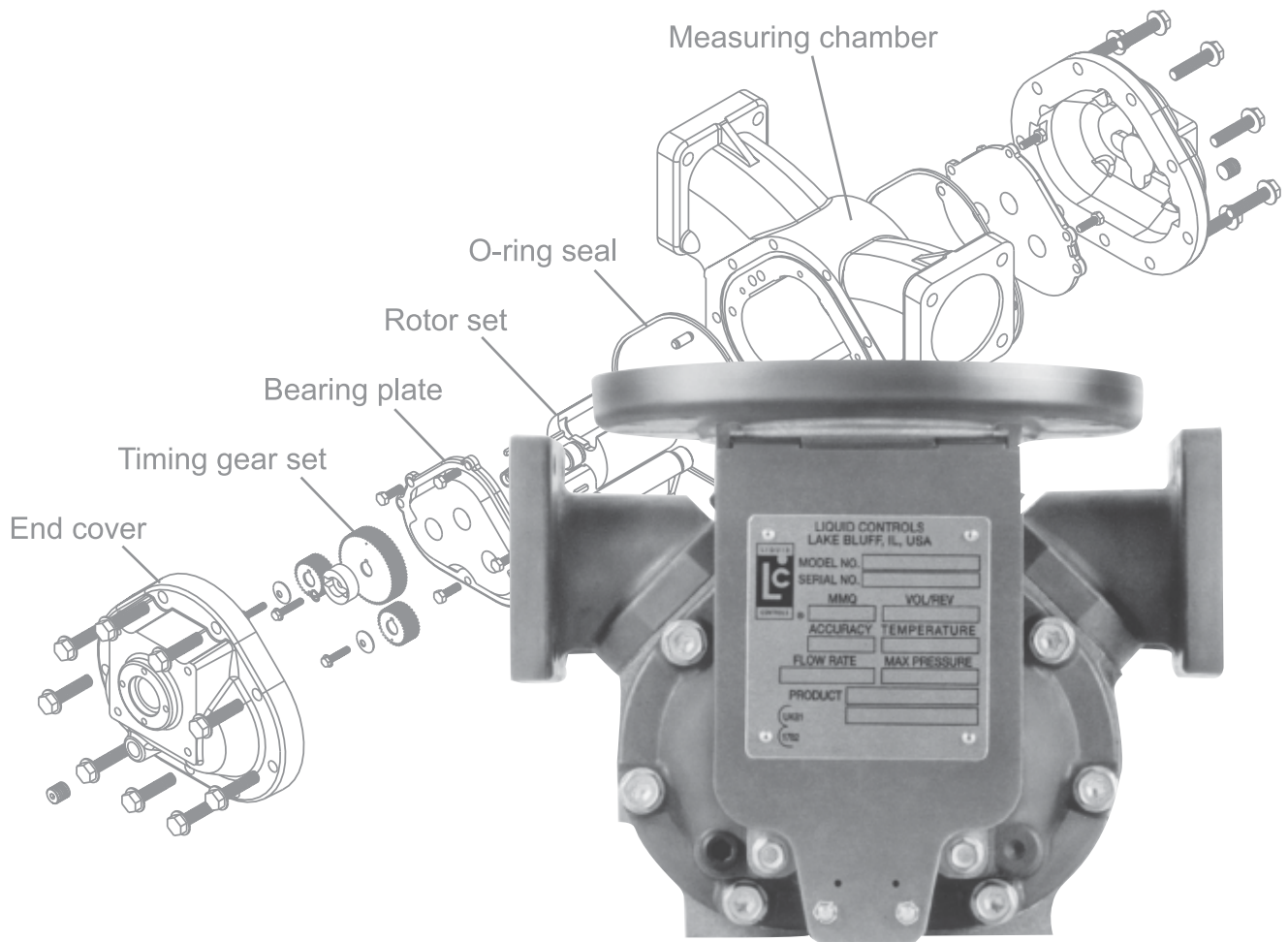


Standard Bills of Material

Meters (Commonly ordered models only)



The Bills of Material are on the LC public website. Always check the website for the most current BOM.



This document is for reference only. Always use Bill of Material shipped with meter when ordering replacement parts.

Table of Contents

Description	Page Number
610-1 MA-4 (Class 10)	4 & 5
610-2 M-5 (Class 1, 2 & 3) Internal Gearing	6 & 7
610-3 M-5 (Class 1, 2 & 3) Direct Drive	8 & 9
610-4 MA-5 (Class 10) Internal Gearing	10 & 11
610-5 MA-5 (Class 10) Direct Drive	12 & 13
610-6 M-7 (Class 1 & 2)	14 & 15
610-7 M-7 (Class 3)	16 & 17
610-8 M-7 (Class 4 & 14)	18 & 19
610-9 M-7 (Class 15)	20 & 21
610-10 M-7 (Class 16)	22 & 23
610-11 MA-7 (Class 10 & 12)	24 & 25
610-12 M-10 (Class 1 & 2)	26 & 27
610-13 M-25 (Class 1)	28 & 29
610-14 M-25 (Class 2)	30 & 31
610-15 M-30 (Class 1, 2 & 3)	32 & 33
610-16 M-40 (Class 1 & 2)	34 & 35
610-17 M-60 (Class 1 & 2)	36 & 37
610-18 M-80 (Class 2)	38 & 39

MA-4 Meters (Class 10)

APPLICABLE FOR METERS MANUFACTURED AFTER FEB. 2, 2001

Meter Element L1607 (Class 10)

Item #	Part #	Qty	Description
0110	48270	1	Housing
0144	47670	2	Bearing Plate
0153	48079	1	Blocking Rotor Assembly
0155	48078	2	Displacement Rotor Assembly
0161	48090	1	Blocking Gear
0163	48089	2	Displacement Pinion Gear
0318	40665	4	Dowel Pin
0611	09079	8	Screw (#10-24 x .625)
0673	09110	4	Screw (#8-32 x .640))
0771	48319	2	Lock Washer (.25)
0528	48345	3	Stainless Steel Key
0372	49444	1	Nameplate
0678	00306	2	Drive screw for nameplate
0200	48403	1	Parts Manual
0765	09337	1	Lock Washer #8
0326	501140	1	Driver, Packing Gland
0675	09336	1	Screw (#8-32 x .875)

Cover Seal

Item #	Part #	Qty	Description
0430	09278	2	O-ring, Buna-N - Standard
0463	06856	1	O-ring (.88 ID Buna-N)

End Covers

Item #	Part #	Qty	Description
0123	501148	1	Cover, Front
0125	48273	1	Cover, Rear
0566	06790	2	Pipe Plug, (.250-18 NPT)
0627	09080	18	Screw (.312-18 x 1.375)

Adjuster

Item #	Part #	Qty	Description
0202	49403	1	Adjuster Assembly - Standard

Packing Gland

Item #	Part #	Qty	Description
0250	48561	1	Packing Gland Assembly (1:1 & 2:1 pinion gears), Buna - Standard
0165	48284	1	Pinion Gear, PM, NS, 2:1, 12-tooth - Optional
0165	501150	1	Pinion Gear, PM, NS, 3:1, 8-tooth - Standard

Face Gear

Item #	Part #	Qty	Description
0336	40122	1	Face Gear, Delrin, 1:1 - Standard
0336	40818	1	Face Gear, Delrin, 2:1 - Optional
0336	42907	1	Face Gear, SS, 2:1, 12-tooth - Optional
0336	42909	1	Face Gear, SS, 1:1, 24-tooth - Optional

Drive Shaft

Item #	Part #	Qty	Description
0310	41786	2	Bushing, Drive Shaft
0382	48287	1	Adjuster Shaft
0574	02188	1	Retaining Ring, (0.25)

MA-4 Meters (Class 10) Cont.

Dust Cover

Item #	Part #	Qty	Description
0366	49390	1	Cover Adjuster Plate
0630	09093	1	Screw (10-32 x .50)
0780	48864	1	Seal Wire Kit

Gear Plate

Part #	Qty	Description
G1127	1	1/10 Gallon, 3:1, 2%, without Preset - Standard
G1647	1	Whole Liters, 2:1, 2%, without Preset - Optional
G1649	1	Whole Liters, 2:1, TVC, 2%, without Preset - Optional

Flange Assembly

Part #	Qty	Description
501226	1	NI / UL Buna / 1" NPT - Standard
09338	1	O-ring, Buna - Standard

Elbow Assembly

Part #	Qty	Description
A1074	1	MA4, Alum/Buna - Optional
07097	1	O-ring, Buna - Standard

Counter

Part #	Qty	Description
D1111	1	1/10 Gallons - Standard
D1147	1	Whole Liters - Optional

Counter Assembly Adaptor

Item #	Part #	Qty	Description
0126	49434	1	Counter Adaptor Bracket
0375	48208	1	Retaining Spring
0603	06845	2	Screw (#10-24 x .375)
0673	09084	4	Screw (.250-20 x 1")
0705	06743	4	Flat Washer

M-5 Meters - Internal Gearing (Class 1, 2 & 3)

APPLICABLE FOR METERS MANUFACTURED AFTER SEPT. 19, 2000

Meter Element L1610 (Class 10)

Item #	Part #	Qty	Description
0110	48271	1	Housing
0144	47671	1	Front Bearing Plate
0146	47670	1	Rear Bearing Plate
0153	48079	1	Blocking Rotor Assembly
0155	48078	2	Displacement Rotor Assembly
0161	48090	1	Blocking Gear
0163	48089	2	Displacement Pinion Gear
0318	40665	4	Dowel Pin
0342	501016	1	Output Gear
0343	48257	1	Output Pinion
0575	48277	1	Lock Washer
0611	09079	8	Screw (#10-24 x .625)
0635	48275	1	Shoulder Screw (.25 dia.)
0672	09110	4	Screw (#8-32 x .640))
0771	48319	3	Lock Washer (.25)
0772	48345	3	Stainless Steel Key
0372	49444	1	Nameplate
0678	00306	2	Drive screw for nameplate
0200	48403	1	Parts Manual
0773	09029	1	Flat Washer, .180 I.D.

Cover Seal

Item #	Part #	Qty	Description
0430	09278	2	O-ring, Buna-N - Standard
0463	06856	1	O-ring (.88 ID Buna-N)

End Covers

Item #	Part #	Qty	Description
0123	48272	1	Cover, Front
0125	48273	1	Cover, Rear
0566	06790	2	Pipe Plug, (.250-18 NPT)
0627	09080	18	Screw (.312-18 x 1.375)

Adjuster

Item #	Part #	Qty	Description
0202	49403	1	Adjuster Assembly - Standard

Packing Gland

Item #	Part #	Qty	Description
0250	48561	1	Packing Gland Assembly (1:1 & 2:1 pinion gears), Buna - Standard
0165	48283	1	Pinion Gear, PM, NS, 1:1, 24-tooth - Standard
0165	48284	1	Pinion Gear, PM, NS, 2:1, 12-tooth - Optional

Face Gear

Item #	Part #	Qty	Description
0336	40122	1	Face Gear, Delrin, 1:1 - Standard
0336	40818	1	Face Gear, Delrin, 2:1 - Optional
0336	42907	1	Face Gear, SS, 2:1, 12-tooth - Optional
0336	42909	1	Face Gear, SS, 1:1, 24-tooth - Optional

Drive Shaft

Item #	Part #	Qty	Description
0310	41786	2	Bushing, Drive Shaft
0382	48287	1	Adjuster Shaft
0574	02188	1	Retaining Ring, (0.25)

M-5 Meters - Internal Gearing (Class 1, 2 & 3) Cont.

Dust Cover

Item #	Part #	Qty	Description
0366	49390	1	Cover Adjuster Plate
0630	09093	1	Screw (10-32 x .50)
0780	48864	1	Seal Wire Kit

Gear Plate

Part #	Qty	Description
G1127	1	1/10 Gallon, 1:1, 2%, without Preset - Standard
G1622	1	Whole Liters, 2:1, 2%, without Preset - Optional
G1623	1	Whole Liters, 2:1, TVC, 2%, without Preset - Optional

Flange Assembly

Part #	Qty	Description
A2138	2	NI / UL Buna / 1-1/2" NPT - Standard
06854	2	O-ring, Buna - Standard

Elbow Assembly

Part #	Qty	Description
A1070	2	M5/2 Bolt, Alum/Buna - 1.5", 46 Deg. - Standard
09117	2	O-ring, Buna - Standard

Counter

Part #	Qty	Description
D1111	1	1/10 Gallons - Standard
D1147	1	Whole Liters - Optional

Counter Assembly Adaptor

Item #	Part #	Qty	Description
0126	49434	1	Counter Adaptor Bracket
0375	48208	1	Retaining Spring
0603	06845	2	Screw (#10-24 x .375)
0673	09084	4	Screw (.250-20 x 1")
0705	06743	4	Flat Washer

M-5 Meters - Direct Drive (Class 1, 2 & 3)

APPLICABLE FOR METERS MANUFACTURED AFTER OCT. 11, 2000

Meter Element L1106 (Class 1), L1117 (Class 2), L1131 (Class 3)

Item #	Part #	Qty	Description
0110	501149	1	Housing
0146	44286	2	Bearing Plate
0153	48079	1	Blocking Rotor Assembly
0155	48078	2	Displacement Rotor Assembly
0161	48090	1	Gear, Blocking Rotor - Class 1
0161	49468	1	Gear Blocking Rotor - Class 2, 3
0163	48089	2	Pinion Gear - Class 1
0163	49469	2	Pinion Gear - Class 2, 3
0318	40665	4	Dowel Pin
0326	501140	1	Driver, Packing Gland
0611	09079	8	Screw (#10-24 x .625)
0672	09110	2	Screw (#8-32 x .640)
0771	48319	3	Lock Washer
0772	48345	3	Stainless Steel Key
0372	49444	1	Nameplate
0678	00306	2	Drive screw for nameplate
0200	48403	1	Parts Manual
0776	09029	1	Flat Washer, .180 I.D.
0675	09336	1	Screw (# 8-32 x .875)
0765	09337	1	Lock Washer

Cover Seal

Item #	Part #	Qty	Description
0430	09278	2	O-ring, Buna-N - Standard
0463	06856	1	O-ring (.88 ID Buna-N)
0430	09120	2	O-ring, Viton - Optional
0463	06191	1	O-ring (.88 ID Viton)
0430	09121	2	O-ring, Teflon - Optional
0463	06024	1	O-ring (.88 ID Teflon)

End Covers

Item #	Part #	Qty	Description
0123	501148	1	Cover, Front
0124	48273	1	Cover, Rear
0566	06790	2	Pipe Plug, (.250-18 NPT)
0627	09080	18	Screw (.312-18 x 1.375)

Adjuster

Item #	Part #	Qty	Description
0202	49403	1	Adjuster Assembly - Standard
0202	49405	1	Adjuster (High Temperature) - Optional

Packing Gland

Item #	Part #	Qty	Description
0250	48616	1	Packing Gland Kit (1:1 and 2:1 pinion gears), Buna - Standard
0250	48617	1	Packing Gland Kit (1:1 and 2:1 pinion gears), Viton - Optional
0250	48618	1	Packing Gland Kit (1:1 and 2:1 pinion gears), Teflon - Optional
0165	48284	1	Pinion Gear, PM, NS 2:1, 12-tooth - Optional
0165	501150	1	Pinion Gear, PM, NS 3:1, 8-tooth - Standard

Face Gear

Item #	Part #	Qty	Description
0336	40122	1	Face Gear, Delrin, 1:1 - Standard
0336	40818	1	Face Gear, Delrin, 2:1 - Optional
0336	42907	1	Face Gear, SS, 2:1, 12-tooth - Optional
0336	42909	1	Face Gear, SS, 1:1, 24-tooth - Optional

M-5 Meters - Direct Drive (Class 1, 2 & 3) Cont.

Drive Shaft

Item #	Part #	Qty	Description
0310	41786	2	Bushing, Drive Shaft
0382	48287	1	Adjuster Shaft
0574	02188	1	Retaining Ring, (0.25)

Dust Cover

Item #	Part #	Qty	Description
0366	49390	1	Cover Adjuster Plate
0630	09093	1	Screw (10-32 x .50)
0780	48864	1	Seal Wire Kit

Gear Plate

Part #	Qty	Description
G1125	1	1/10 Gallon, 3:1, without Preset - Standard
G1124	1	1/10 Gallon, 3:1, with Preset - Standard
G1113	1	Whole Gallon, 2:1, TVC, without Preset - Optional
G1643	1	Whole Liters, 2:1, without Preset - Optional
G1645	1	Whole Liters, 2:1, TVC, without Preset - Optional
G1114	1	Whole gallon, 2:1, TVC, with Preset - Optional
G1644	1	Whole Liters, 2:1, with Preset - Optional
G1646	1	Whole Liters, 2:1, TVC, with Preset - Optional

Flange Assembly

Part #	Qty	Description
A2110	2	Alum / Buna / 1 1/2" NPT - Standard
06854	2	O-ring, Buna - Standard
07025	2	O-ring, Viton - Optional
06664	2	O-ring, Teflon - Optional

Counter

Part #	Qty	Description
D1111	1	1/10 Gallons - Standard
D1131	1	Whole Gallons - Optional
D1147	1	Whole Liters - Optional
D1151	1	Whole Pounds - Optional

Counter Assembly Adaptor

Item #	Part #	Qty	Description
0126	49434	1	Counter Adaptor Bracket
0375	48208	1	Retaining Spring
0603	06845	2	Screw (#10-24 x .375)
0673	09084	4	Screw (.250-20 x 1")
0705	06743	4	Flat Washer

MA-5 Meters - Internal Gearing (Class 10)

APPLICABLE FOR METERS MANUFACTURED AFTER SEPT. 19, 2000

Meter Element L1610 (Class 10)

Item #	Part #	Qty	Description
0110	48271	1	Housing
0144	47671	1	Front Bearing Plate
0146	47670	1	Rear Bearing Plate
0153	48079	1	Blocking Rotor Assembly
0155	48078	2	Displacement Rotor Assembly
0161	48090	1	Blocking Gear
0163	48089	2	Displacement Pinion Gear
0318	40665	4	Dowel Pin
0342	501016	1	Output Gear
0343	48257	1	Output Pinion
0575	48277	1	Lock Washer
0611	09079	8	Screw (#10-24 x .625)
0635	48275	1	Shoulder Screw (.25 dia.)
0672	09110	4	Screw (#8-32 x .640))
0771	48319	3	Lock Washer (.25)
0772	48345	3	Stainless Steel Key
0372	49444	1	Nameplate
0678	00306	2	Drive screw for nameplate
0200	48403	1	Parts Manual
0773	09029	1	Flat Washer, .180 I.D.

Cover Seal

Item #	Part #	Qty	Description
0430	09278	2	O-ring, Buna-N - Standard
0463	06856	1	O-ring (.88 ID Buna-N)

End Covers

Item #	Part #	Qty	Description
0123	48272	1	Cover, Front
0125	48273	1	Cover, Rear
0566	06790	2	Pipe Plug, (.250-18 NPT)
0627	09080	18	Screw (.312-18 x 1.375)

Adjuster

Item #	Part #	Qty	Description
0202	49403	1	Adjuster Assembly - Standard

Packing Gland

Item #	Part #	Qty	Description
0250	48561	1	Packing Gland Assembly (1:1 & 2:1 pinion gears), Buna - Standard
0165	48283	1	Pinion Gear, PM, NS, 1:1, 24-tooth - Standard
0165	48284	1	Pinion Gear, PM, NS, 2:1, 12-tooth - Optional

Face Gear

Item #	Part #	Qty	Description
0336	40122	1	Face Gear, Delrin, 1:1 - Standard
0336	40818	1	Face Gear, Delrin, 2:1 - Optional
0336	42907	1	Face Gear, SS, 2:1, 12-tooth - Optional
0336	42909	1	Face Gear, SS, 1:1, 24-tooth - Optional

Drive Shaft

Item #	Part #	Qty	Description
0310	41786	2	Bushing, Drive Shaft
0382	48287	1	Adjuster Shaft
0574	02188	1	Retaining Ring, (0.25)

M-5 Meters - Internal Gearing (Class 10) Cont.

Dust Cover

Item #	Part #	Qty	Description
0366	49390	1	Cover Adjuster Plate
0630	09093	1	Screw (10-32 x .50)
0780	48864	1	Seal Wire Kit

Gear Plate

Part #	Qty	Description
G1127	1	1/10 Gallon, 1:1, 2%, without Preset - Standard
G1622	1	Whole Liters, 2:1, 2%, without Preset - Optional
G1623	1	Whole Liters, 2:1, TVC, 2%, without Preset - Optional

Flange Assembly

Part #	Qty	Description
A2138	2	NI / UL Buna / 1-1/2" NPT - Standard
06854	2	O-ring, Buna - Standard

Elbow Assembly

Part #	Qty	Description
A1070	2	M5/2 Bolt, Alum/Buna - 1.5", 46 Deg. - Standard
09117	2	O-ring, Buna - Standard

Counter

Part #	Qty	Description
D1111	1	1/10 Gallons - Standard
D1147	1	Whole Liters - Optional

Counter Assembly Adaptor

Item #	Part #	Qty	Description
0126	49434	1	Counter Adaptor Bracket
0375	48208	1	Retaining Spring
0603	06845	2	Screw (#10-24 x .375)
0673	09084	4	Screw (.250-20 x 1")
0705	06743	4	Flat Washer

MA-5 Meters - Direct Drive (Class 10)

APPLICABLE FOR METERS MANUFACTURED AFTER OCT. 11, 2000

Meter Element L1608 (Class 10)

Item #	Part #	Qty	Description
0110	501149	1	Housing
0144	47670	2	Bearing Plate
0153	48079	1	Blocking Rotor Assembly
0155	48078	2	Displacement Rotor Assembly
0161	48090	1	Blocking Gear
0163	48089	2	Displacement Pinion Gear
0318	40665	4	Dowel Pin
0611	09079	8	Screw (#10-24 x .625)
0673	09110	4	Screw (#8-32 x .640))
0771	48319	2	Lock Washer (.25)
0528	48345	3	Stainless Steel Key
0372	49444	1	Nameplate
0678	00306	2	Drive screw for nameplate
0200	48403	1	Parts Manual
0765	09337	1	Lock Washer #8
0326	501140	1	Driver, Packing Gland
0675	09336	1	Screw, (#8-32 x .875)

Cover Seal

Item #	Part #	Qty	Description
0430	09278	2	O-ring, Buna-N - Standard
0463	06856	1	O-ring (.88 ID Buna-N)

End Covers

Item #	Part #	Qty	Description
0123	501148	1	Cover, Front
0125	48273	1	Cover, Rear
0566	06790	2	Pipe Plug, (.250-18 NPT)
0627	09080	18	Screw (.312-18 x 1.375)

Adjuster

Item #	Part #	Qty	Description
0202	49403	1	Adjuster Assembly - Standard

Packing Gland

Item #	Part #	Qty	Description
0250	48561	1	Packing Gland Assembly (1:1 & 2:1 pinion gears), Buna - Standard
0165	48284	1	Pinion Gear, PM, NS, 2:1, 12-tooth - Optional
0165	501150	1	Pinion Gear, PM, NS, 3:1, 8-tooth - Standard

Face Gear

Item #	Part #	Qty	Description
0336	40122	1	Face Gear, Delrin, 1:1 - Standard
0336	40818	1	Face Gear, Delrin, 2:1 - Optional
0336	42907	1	Face Gear, SS, 2:1, 12-tooth - Optional
0336	42909	1	Face Gear, SS, 1:1, 24-tooth - Optional

Drive Shaft

Item #	Part #	Qty	Description
0310	41786	2	Bushing, Drive Shaft
0382	48287	1	Adjuster Shaft
0574	02188	1	Retaining Ring, (0.25)

MA-5 Meters - Direct Drive (Class 10) Cont.

Dust Cover

Item #	Part #	Qty	Description
0366	49390	1	Cover Adjuster Plate
0630	09093	1	Screw (10-32 x .50)
0780	48864	1	Seal Wire Kit

Gear Plate

Part #	Qty	Description
G1127	1	1/10 Gallon, 3:1, 2%, without Preset - Standard
G1647	1	Whole Liters, 2:1, 2%, without Preset - Optional
G1649	1	Whole Liters, 2:1, TVC, 2%, without Preset - Optional

Flange Assembly

Part #	Qty	Description
A2138	2	NI / UL Buna / 1-1/2" NPT - Standard
06854	2	O-ring, Buna - Standard

Counter

Part #	Qty	Description
D1111	1	1/10 Gallons - Standard
D1147	1	Whole Liters - Optional

Counter Assembly Adaptor

Item #	Part #	Qty	Description
0126	49434	1	Counter Adaptor Bracket
0375	48208	1	Retaining Spring
0603	06845	2	Screw (#10-24 x .375)
0673	09084	4	Screw (.250-20 x 1")
0705	06743	4	Flat Washer

M-7 Meters (Class 1 & 2)

APPLICABLE FOR METERS MANUFACTURED AFTER SEPT. 19, 2000

Meter Element L2102 (Class 1), L2122 (Class 2)

Item #	Part #	Qty	Description
0110	49445	1	Housing
0144	41804	2	Bearing Plate
0153	48306	1	Rotor, Assembly, Blocking
0155	48366	2	Rotor, Assembly, Displacement
0161	47646	1	Gear, Blocking Rotor - Class 1
0161	47633	1	Gear Blocking Rotor - Class 2
0163	47647	2	Pinion Gear - Class 1
0318	40665	4	Dowel Pin
0326	48756	1	Driver, Packing Gland
0528	48332	3	Key, Stainless Steel
0611	09079	10	Screw (#10-24 x .625)
0673	09027	2	Screw (.25-20 x .75 Lg)
0675	07483	1	Screw (.25-20 x 1.00 Lg)
0765	06174	1	Lock Washer (.25)
0771	48348	2	Rotor Gear Washer (.25 ID x .75 OD SST)
0372	49444	1	Nameplate
0678	00306	2	Drive screw for nameplate
0200	48496	1	Parts Manual
0163	47634	2	Pinion Gear - Class 2

Cover Seal

Item #	Part #	Qty	Description
0430	09258	2	O-ring, Buna-N (6.25 ID) - Standard
0463	06856	1	O-ring (.88 ID Buna-N)
0430	06940	2	O-ring, Viton (6.25 ID) - Optional
0463	06191	1	O-ring (.88 ID Viton)
0430	07241	2	O-ring, Teflon (6.19 ID)- Optional
0463	06024	1	O-ring (.88 ID Teflon)

End Covers

Item #	Part #	Qty	Description
0123	48301	1	Cover, Front
0125	48302	1	Cover, Rear
0566	06790	2	Pipe Plug, (.250-18 NPT)
0627	09080	20	Screw (.312-18 x 1.375)

Adjuster

Item #	Part #	Qty	Description
0202	49403	1	Adjuster Assembly - Standard
0202	49405	1	Adjuster (High Temperature) - Optional

Packing Gland

Item #	Part #	Qty	Description
0250	48616	1	Packing Gland Kit (1:1 and 2:1 pinion gears), Buna - Standard
0250	48617	1	Packing Gland Kit (1:1 and 2:1 pinion gears), Viton - Optional
0250	48618	1	Packing Gland Kit (1:1 and 2:1 pinion gears), Teflon - Optional
0165	48284	1	Pinion Gear, PM, NS, 2:1, 12-tooth - Standard
0165	48283	1	Pinion Gear, PM, NS 1:1, 24-tooth - Optional

M-7 Meters (Class 1 & 2) Cont.

Face Gear

Item #	Part #	Qty	Description
0336	40818	1	Face Gear, Delrin, 2:1 - Standard
0336	40122	1	Face Gear, Delrin, 1:1 - Optional
0336	42907	1	Face Gear, SS, 2:1, 12-tooth - Optional
0336	42909	1	Face Gear, SS, 1:1, 24-tooth - Optional

Drive Shaft

Item #	Part #	Qty	Description
0310	41786	2	Bushing, Drive Shaft
0382	48287	1	Adjuster Shaft
0574	02188	1	Retaining Ring, (0.25)

Dust Cover

Item #	Part #	Qty	Description
0366	49390	1	Cover Adjuster Plate
0630	09093	1	Screw (10-32 x .50)
0780	48864	1	Seal Wire Kit

Gear Plate

Part #	Qty	Description
G2132	1	1/10 Gallon, 2:1, without Preset - Standard
G2129	1	1/10 Gallon, 2:1, with Preset - Standard
G2106	1	Whole Gallon, 2:1, TVC, without Preset - Optional
G2112	1	Whole Gallon, 2:1, without Preset - Optional
G2681	1	Whole Liters, 2:1, without Preset - Optional
G2682	1	Whole Liters, 2:1, TVC, without Preset - Optional
G2105	1	Whole Gallon, 2:1, TVC, with Preset - Optional
G2109	1	Whole Gallon, 2:1, with Preset - Optional
G2680	1	Whole Liters, 2:1, with Preset - Optional

Flange Assembly

Item #	Part #	Qty	Description
	A2210	2	Alum / Buna / 2" NPT - Standard
0420	06854	2	O-ring, Buna - Standard
0420	07025	2	O-ring, Viton - Optional
0420	06664	2	O-ring, Teflon - Optional

Counter

Part #	Qty	Description
D1111	1	1/10 Gallons - Standard
D1131	1	Whole Gallons - Optional
D1147	1	Whole Liters - Optional

Counter Assembly Adaptor

Item #	Part #	Qty	Description
0126	49434	1	Counter Adaptor Bracket
0375	48208	1	Retaining Spring
0603	06845	2	Screw (#10-24 x .375)
0673	09084	4	Screw (.250-20 x 1")
0705	06743	4	Flat Washer

M-7 Meters (Class 3)

APPLICABLE FOR METERS MANUFACTURED AFTER JAN. 31, 1997

Meter Element L2133 (Class 3)

Item #	Part #	Qty	Description
0110	49445	1	Housing
0144	41804	2	Bearing Plate
0153	48306	1	Rotor, Assembly, Blocking
0155	48366	2	Rotor, Assembly, Displacement
0161	47633	1	Gear, Blocking Rotor
0163	47634	2	Pinion Gear
0318	40665	4	Dowel Pin
0326	48756	1	Driver, Packing Gland
0528	48332	3	Key, Stainless Steel
0611	09079	10	Screw (#10-24 x .625)
0673	09027	2	Screw (.25-20 x .75 Lg)
0675	07483	1	Screw (.25-20 x 1.00 Lg)
0765	06174	1	Lock Washer (.25)
0771	48348	2	Rotor Gear Washer (.25 ID x .75 OD SST)
0372	49444	1	Nameplate
0678	00306	2	Drive screw for nameplate
0200	48496	1	Parts Manual

Cover Seal

Item #	Part #	Qty	Description
0430	09258	2	O-ring, Buna-N (6.25 ID) - Standard
0463	06856	1	O-ring (.88 ID Buna-N)
0430	06940	2	O-ring, Viton (6.25 ID) - Optional
0463	06191	1	O-ring (.88 ID Viton)
0430	07241	2	O-ring, Teflon (6.19 ID)- Optional
0463	06024	1	O-ring (.88 ID Teflon)

End Covers

Item #	Part #	Qty	Description
0123	48301	1	Cover, Front
0125	48302	1	Cover, Rear
0566	06790	2	Pipe Plug, (.250-18 NPT)
0627	09080	20	Screw (.312-18 x 1.375)

Adjuster

Item #	Part #	Qty	Description
0202	49403	1	Adjuster Assembly - Standard
0202	49405	1	Adjuster (High Temperature) - Optional

Packing Gland

Item #	Part #	Qty	Description
0250	48616	1	Packing Gland Kit (1:1 and 2:1 pinion gears), Buna - Standard
0250	48617	1	Packing Gland Kit (1:1 and 2:1 pinion gears), Viton - Optional
0250	48618	1	Packing Gland Kit (1:1 and 2:1 pinion gears), Teflon - Optional
0165	48283	1	Pinion Gear, PM, NS, 1:1, 24-tooth - Standard
0165	48284	1	Pinion Gear, PM, NS 2:1, 12-tooth - Optional

Face Gear

Item #	Part #	Qty	Description
0336	40122	1	Face Gear, Delrin, 1:1 - Standard
0336	40818	1	Face Gear, Delrin, 2:1 - Optional
0336	42907	1	Face Gear, SS, 2:1, 12-tooth - Optional
0336	42909	1	Face Gear, SS, 1:1, 24-tooth - Optional

M-7 Meters (Class 3) Cont.

Drive Shaft

Item #	Part #	Qty	Description
0310	41786	2	Bushing, Drive Shaft
0382	48287	1	Adjuster Shaft
0574	02188	1	Retaining Ring, (0.25)

Dust Cover

Item #	Part #	Qty	Description
0366	49390	1	Cover Adjuster Plate
0630	09093	1	Screw (10-32 x .50)
0780	48864	1	Seal Wire Kit

Gear Plate

Item #	Part #	Qty	Description
	G2537	1	11.2 lbs/Gallon, 1:1, without Preset - Optional
	G2538	1	11.2 lbs/Gallon, 1:1, with Preset - Optional
	G2132	1	1/10 Gallon, 2:1, with Preset - Standard
	G2106	1	Whole Gallon, 2:1, TVC, without Preset - Optional
	G2102	1	Whole Gallon, 2:1, without Preset - Optional
	G2674	1	Whole Liters, 2:1, without Preset - Optional
	G2673	1	Whole Liters, 2:1, TVC, without Preset - Optional
	G2129	1	1/10 Gallon, 2:1, with Preset - Standard
	G2105	1	Whole Gallon, 2:1, TVC, with Preset - Optional
	G2109	1	Whole Gallon, 2:1, with Preset - Optional
	G2680	1	Whole Liters, 2:1, with Preset - Optional

Flange Assembly

Item #	Part #	Qty	Description
	A2210	2	Alum / Buna / 2" NPT - Standard
	06854	2	O-ring, Buna - Standard
	07025	2	O-ring, Viton - Optional
	06664	2	O-ring, Teflon - Optional

Counter

Item #	Part #	Qty	Description
	D1151	1	Whole Pounds - Optional
	D1131	1	Whole Gallons - Optional
	D1147	1	Whole Liters - Optional
	D1111	1	1/10 Gallons - Standard

Counter Assembly Adaptor

Item #	Part #	Qty	Description
0126	49434	1	Counter Adaptor Bracket
0375	48208	1	Retaining Spring
0603	06845	2	Screw (#10-24 x .375)
0673	09084	4	Screw (.250-20 x 1")
0705	06743	4	Flat Washer

M-7 Meters (Class 4 & 14)

APPLICABLE FOR METERS MANUFACTURED AFTER JAN. 31, 1997

Meter Element L2242 (Class 4) L2143 (Class 14)

Item #	Part #	Qty	Description
0110	49445	1	Housing
0144	47685	2	Bearing Plate - Class 4
0144	41804	2	Bearing Plate - Class 14
0153	48309	1	Rotor, Assembly, Blocking
0155	48364	2	Rotor, Assembly, Displacement
0161	47637	1	Gear, Blocking Rotor - Class 4
0161	47646	1	Gear, Blocking Rotor - class 14
0163	47638	2	Pinion Gear - Class 4
0163	47647	2	Pinion Gear - Class 14
0318	40665	4	Dowel Pin
0326	48756	1	Driver, Packing Gland
0528	48332	3	Key, Stainless Steel
0611	09079	10	Screw (#10-24 x .625)
0673	09027	2	Screw (.25-20 x .75 Lg)
0675	07483	1	Screw (.25-20 x 1.00 Lg)
0765	06174	1	Lock Washer (.25)
0771	48348	2	Rotor Gear Washer (.25 ID x .75 OD SST)
0372	49444	1	Nameplate
0678	00306	2	Drive screw for nameplate
0200	48496	1	Parts Manual

Cover Seal

Item #	Part #	Qty	Description
0430	09258	2	O-ring, Buna-N (6.25 ID) - Standard (Class 4)
0463	06856	1	O-ring (.88 ID Buna-N) - Standard (Class 4)
0430	06940	2	O-ring, Viton (6.25 ID) - Standard (Class 14) Optional (Class 4)
0463	06191	1	O-ring (.88 ID Viton) - Standard (Class 14) Optional (Class 4)
0430	07241	2	O-ring, Teflon (6.19 ID)- Optional
0463	06024	1	O-ring (.88 ID Teflon) - Optional

End Covers

Item #	Part #	Qty	Description
0123	48301	1	Cover, Front
0125	48302	1	Cover, Rear
0566	06790	2	Pipe Plug, (.250-18 NPT)
0627	09080	20	Screw (.312-18 x 1.375)

Adjuster

Item #	Part #	Qty	Description
0202	49403	1	Adjuster Assembly - Standard (Class 4)
0202	49405	1	Adjuster (High Temperature) - Optional (Class 4) Standard (Class 14)

Packing Gland

Item #	Part #	Qty	Description
0250	48616	1	Packing Gland Kit (1:1 and 2:1 pinion gears), Buna - Standard (Class 4)
0250	48617	1	Packing Gland Kit (1:1 and 2:1 pinion gears), Viton - Std (Class 14)Opt (Class 14)
0250	48618	1	Packing Gland Kit (1:1 and 2:1 pinion gears), Teflon - Optional
0165	48284	1	Pinion Gear, PM, NS, 2:1, 12-tooth - Standard
0165	48283	1	Pinion Gear, PM, NS 1:1, 24-tooth - Optiona

Face Gear

Item #	Part #	Qty	Description
0336	40818	1	Face Gear, Delrin, 2:1 - Standard (Class 4)
0336	40122	1	Face Gear, Delrin, 1:1 - Optional (Class 4)
0336	42907	1	Face Gear, SS, 2:1, 12-tooth - Optional (Class 4) Standard (Class 14)
0336	42909	1	Face Gear, SS, 1:1, 24-tooth - Optional

M-7 Meters (Class 4 & 14) Cont.

Drive Shaft

Item #	Part #	Qty	Description
0310	41786	2	Bushing, Drive Shaft (Class 4)
0382	48287	1	Adjuster Shaft (Class 4)
0574	02188	1	Retaining Ring, (0.25) (Class 4)
0882	48587	1	Adjuster Shaft (Class 14)
0574	06150	1	Retaining Ring (0.25) (Class 14)

Dust Cover

Item #	Part #	Qty	Description
0366	49390	1	Cover Adjuster Plate
0630	09093	1	Screw (10-32 x .50)
0780	48864	1	Seal Wire Kit

Gear Plate

Item #	Part #	Qty	Description
	G2126	1	1/10 Gallon, 2:1, 2% without Preset - Standard
	G2123	1	1/10 Gallon, 2:1, 2% with Preset - Standard
	G2102	1	Whole Gallon, 2:1, TVC, without Peset - Optional
	G2104	1	Whole Gallon, 2:1, TVC, 2%, without Preset - Optional
	G2673	1	Whole Liters, 2:1, TVC, 2%, without Preset - Optional
	G2674	1	Whole Liters, 2:1, 2%, without Preset - Optional
	G2103	1	Whole Gallons, 2:1, 2%, with Preset - Optional
	G2678	1	Whole Liters, 2:1, 2%, with Preset - Optional
	G2105	1	Whole Gallon, 2:1, TVC, with Preset - Optional (Class 14)

Flange Assembly

Item #	Part #	Qty	Description
	A2210	2	Alum / Buna / 2" NPT - Standard (Class 4)
	A2212	2	Alum / Viton / 2" NPT - Standard (Class 14)
	06854	2	O-ring, Buna - Standard (Class 4)
	07025	2	O-ring, Viton - Standard (Class 14), Optional (Class 4)
	06664	2	O-ring, Teflon - Optional

Counter

Item #	Part #	Qty	Description
	D1111	1	1/10 Gallons - Standard
	D1151	1	Whole Pounds - Optional (Class 4)
	D1131	1	Whole Gallons - Optional
	D1147	1	Whole Liters - Optional

Counter Assembly Adaptor

Item #	Part #	Qty	Description
0126	49434	1	Counter Adaptor Bracket
0375	48208	1	Retaining Spring
0603	06845	2	Screw (#10-24 x .375)
0673	09084	4	Screw (.250-20 x 1")
0705	06743	4	Flat Washer

M-7 Meters (Class 15)

APPLICABLE FOR METERS MANUFACTURED AFTER JAN. 31, 1997

Meter Element L2302 (Class 15)

Item #	Part #	Qty	Description
0110	49445	1	Housing
0144	44173	2	Bearing Plate (Class 15)
0153	48309	1	Blocking Rotor Assembly (Class 15)
0155	48364	2	Displacement Rotor Assembly (Class 15)
0161	47637	1	Blocking Rotor Gear (Class 15)
0163	47638	2	Pinion Gear (Class 15)
0318	40665	4	Dowel Pin
0326	48756	1	Packing Gland Driver
0528	48332	3	Key, Stainless Steel
0611	09079	10	Screw (#10-24 x .625)
0673	09027	2	Screw (.25-20 x .75 Lg)
0675	07483	1	Screw (.25-20 x 1.00 Lg)
0765	06174	1	Lock Washer (.25)
0771	48348	2	Rotor Gear Washer (.25 ID x .75 OD SST)
0372	49444	1	Nameplate
0678	00306	2	Drive screw for nameplate
0200	48496	1	Parts Manual

Cover Seal

Item #	Part #	Qty	Description
0430	09258	2	O-ring, Buna-N (6.25 ID) - Standard
0463	06856	1	O-ring (.88 ID Buna-N)
0430	06940	2	O-ring, Viton (6.25 ID) - Optional
0463	06191	1	O-ring (.88 ID Viton)
0430	07241	2	O-ring, Teflon (6.19 ID)- Optional
0463	06024	1	O-ring (.88 ID Teflon)

End Covers

Item #	Part #	Qty	Description
0123	48301	1	Cover, Front
0125	48302	1	Cover, Rear
0566	06790	2	Pipe Plug, (.250-18 NPT)
0627	09080	20	Screw (.312-18 x 1.375)

Adjuster

Item #	Part #	Qty	Description
0202	49403	1	Adjuster Assembly - Standard
0202	49405	1	Adjuster (High Temperature) - Optional

Packing Gland

Item #	Part #	Qty	Description
0250	48616	1	Packing Gland Kit (1:1 and 2:1 pinion gears), Buna - Standard
0250	48617	1	Packing Gland Kit (1:1 and 2:1 pinion gears), Viton - Optional
0250	48618	1	Packing Gland Kit (1:1 and 2:1 pinion gears), Teflon - Optional
0250	48619	1	Packing Gland Kit (1:1 and 2:1 pinion gears), Viton/Grease - Optional
0165	48284	1	Pinion Gear, PM, NS, 2:1, 12-tooth - Standard
0165	48283	1	Pinion Gear, PM, NS 1:1, 24-tooth - Optional

Face Gear

Item #	Part #	Qty	Description
0336	40818	1	Face Gear, Delrin, 2:1 - Standard
0336	40122	1	Face Gear, Delrin, 1:1 - Optional
0336	42907	1	Face Gear, SS, 2:1, 12-tooth - Optional
0336	42909	1	Face Gear, SS, 1:1, 24-tooth - Optional

M-7 Meters (Class 15) Cont.

Drive Shaft

Item #	Part #	Qty	Description
0310	41786	2	Bushing, Drive Shaft
0382	48287	1	Adjuster Shaft
0574	02188	1	Retaining Ring, (0.25)

Dust Cover

Item #	Part #	Qty	Description
0366	49390	1	Cover Adjuster Plate
0630	09093	2	Screw (10-32 x .50)
0780	48864	1	Seal Wire Kit

Gear Plate

Part #	Qty	Description
G2126	1	1/10 Gallon, 2:1, 2%, without Preset - Standard
G2123	1	1/10 Gallon, 2:1, 2%, with Preset - Standard
G2102	1	Whole Gallon, 2:1, TVC, without Preset - Optional
G2104	1	Whole Gallon, 2:1, 2%, without Preset - Optional
G2673	1	Whole Liters, 2:1, TVC, 2%, without Preset - Optional
G2674	1	Whole Liters, 2:1, 2%, without Preset - Optional
G2103	1	Whole Gallon, 2:1, 2%, with Preset - Optional
G2678	1	Whole Liters, 2:1, 2%, with Preset - Optional

Flange Assembly

Item #	Part #	Qty	Description
	A2210	2	Alum / Buna / 2" NPT - Standard
0420	06854	2	O-ring, Buna - Standard
0420	07025	2	O-ring, Viton - Optional
0420	06664	2	O-ring, Teflon - Optional

Counter

Part #	Qty	Description
D1111	1	1/10 Gallons - Standard
D1131	1	Whole Gallons - Optional
D1147	1	Whole Liters - Optional

Counter Assembly Adaptor

Item #	Part #	Qty	Description
0126	49434	1	Counter Adaptor Bracket
0375	48208	1	Retaining Spring
0603	06845	2	Screw (#10-24 x .375)
0673	09084	4	Screw (.250-20 x 1")
0705	06743	4	Flat Washer

M-7 Meters (Class 16)

APPLICABLE FOR METERS MANUFACTURED AFTER FEB. 5, 1997

Meter Element L2316 (Class 16)

Item #	Part #	Qty	Description
0110	49445	1	Housing
0144	47668	2	Bearing Plate (Class 16)
0153	48306	1	Blocking Rotor Assembly (Class 16)
0155	48366	2	Displacement Rotor Assembly (Class 16)
0161	47646	1	Blocking Rotor Gear (Class 16)
0163	47647	2	Pinion Gear (Class 16)
0318	40665	4	Dowel Pin
0326	48756	1	Packing Gland Driver
0528	48332	3	Key, Stainless Steel
0611	09079	10	Screw (#10-24 x .625)
0673	09027	2	Screw (.25-20 x .75 Lg)
0675	07483	1	Screw (.25-20 x 1.00 Lg)
0765	06174	1	Lock Washer (.25)
0771	48348	2	Rotor Gear Washer (.25 ID x .75 OD SST)
0372	49444	1	Nameplate
0678	00306	2	Drive screw for nameplate
0200	48496	1	Parts Manual

Cover Seal

Item #	Part #	Qty	Description
0430	09258	2	O-ring, Buna-N (6.25 ID) - Standard
0463	06856	1	O-ring (.88 ID Buna-N)
0430	06940	2	O-ring, Viton (6.25 ID) - Optional
0463	06191	1	O-ring (.88 ID Viton)
0430	07241	2	O-ring, Teflon (6.19 ID)- Optional
0463	06024	1	O-ring (.88 ID Teflon)

End Covers

Item #	Part #	Qty	Description
0123	48301	1	Cover, Front
0125	48302	1	Cover, Rear
0566	06790	2	Pipe Plug, (.250-18 NPT)
0627	09080	20	Screw (.312-18 x 1.375)

Adjuster

Item #	Part #	Qty	Description
0202	49403	1	Adjuster Assembly - Standard
0202	49405	1	Adjuster (High Temperature) - Optional

Packing Gland

Item #	Part #	Qty	Description
0250	48616	1	Packing Gland Kit (1:1 and 2:1 pinion gears), Buna - Standard
0250	48617	1	Packing Gland Kit (1:1 and 2:1 pinion gears), Viton - Optional
0250	48618	1	Packing Gland Kit (1:1 and 2:1 pinion gears), Teflon - Optional
0165	48284	1	Pinion Gear, PM, NS, 2:1, 12-tooth - Standard
0165	48283	1	Pinion Gear, PM, NS 1:1, 24-tooth - Optional

Face Gear

Item #	Part #	Qty	Description
0336	40818	1	Face Gear, Delrin, 2:1 - Standard
0336	40122	1	Face Gear, Delrin, 1:1 - Optional
0336	42907	1	Face Gear, SS, 2:1, 12-tooth - Optional
0336	42909	1	Face Gear, SS, 1:1, 24-tooth - Optional

M-7 Meters (Class 16) Cont.

Drive Shaft

Item #	Part #	Qty	Description
0310	41786	2	Bushing, Drive Shaft
0382	48287	1	Adjuster Shaft
0574	02188	1	Retaining Ring, (0.25)

Dust Cover

Item #	Part #	Qty	Description
0366	49390	1	Cover Adjuster Plate
0630	09093	2	Screw (10-32 x .50)
0780	48864	1	Seal Wire Kit

Gear Plate

Part #	Qty	Description
G2132	1	1/10 Gallon, 2:1, without Preset - Standard
G2129	1	1/10 Gallon, 2:1, with Preset - Standard
G2106	1	Whole Gallon, 2:1, TVC, without Preset - Optional
G2112	1	Whole Gallon, 2:1, without Preset - Optional
G2681	1	Whole Liters, 2:1, without Preset - Optional
G2682	1	Whole Liters, 2:1, TVC, without Preset - Optional
G2105	1	Whole Gallon, 2:1, TVC, with Preset - Optional
G2109	1	Whole Gallon, 2:1, with Preset - Optional
G2680	1	Whole Liters, 2:1, with Preset - Optional

Flange Assembly

Item #	Part #	Qty	Description
	A2210	2	Alum / Buna / 2" NPT - Standard
0420	06854	2	O-ring, Buna - Standard
0420	07025	2	O-ring, Viton - Optional
0420	06664	2	O-ring, Teflon - Optional

Counter

Part #	Qty	Description
D1111	1	1/10 Gallons - Standard
D1131	1	Whole Gallons - Optional
D1147	1	Whole Liters - Optional

Counter Assembly Adaptor

Item #	Part #	Qty	Description
0126	49434	1	Counter Adaptor Bracket
0375	48208	1	Retaining Spring
0603	06845	2	Screw (#10-24 x .375)
0673	09084	4	Screw (.250-20 x 1")
0705	06743	4	Flat Washer

MA-7 Meters (Class 10 & 12)

APPLICABLE FOR METERS MANUFACTURED AFTER FEB. 5, 1997

Meter Element L2321 (Class 10), L2612 (Class 12)

Item #	Part #	Qty	Description
0110	49445	1	Housing
0144	47668	2	Bearing Plate (Front) - Class 10
0144	47667	2	Bearing Plate (Front) - Class 12
0153	48306	1	Rotor, Assembly, Blocking
0155	48366	2	Rotor, Assembly, Displacement
0161	47646	1	Gear, Blocking Rotor - Class 10
0161	47633	1	Gear Blocking Rotor - Class 12
0163	47647	2	Pinion Gear - Class 10
0163	47634	2	Pinion Gear - Class 12
0318	40665	4	Dowel Pin
0326	48756	1	Driver, Packing Gland
0528	48332	3	Key, Stainless Steel
0611	09079	10	Screw (#10-24 x .625)
0673	09027	2	Screw (.25-20 x .75 Lg)
0675	07483	1	Screw (.25-20 x 1.00 Lg)
0765	06174	1	Lock Washer (.25)
0771	48348	2	Rotor Gear Washer (.25 ID x .75 OD SST)
0372	49444	1	Nameplate
0678	00306	2	Drive screw for nameplate
0200	48496	1	Parts Manual

Cover Seal

Item #	Part #	Qty	Description
0430	09258	2	O-ring, Buna-N (6.25 ID) - Standard
0463	06856	1	O-ring (.88 ID Buna-N)

End Covers

Item #	Part #	Qty	Description
0123	48301	1	Cover, Front
0125	48302	1	Cover, Rear
0566	06790	2	Pipe Plug, (.250-18 NPT)
0627	09080	20	Screw (.312-18 x 1.375)

Adjuster

Item #	Part #	Qty	Description
0202	49403	1	Adjuster Assembly - Standard

Packing Gland

Item #	Part #	Qty	Description
0250	49561	1	Packing Gland Kit, AL-Buna - Standard (Class 10)
0250	49588	1	Packing Gland Kit, SS-Neoprene - Standard (Class 12)
0165	48283	1	Pinion Gear, 1:1, PM, 24-tooth, Sintered SS - Standard
0165	48284	1	Pinion Gear, 2:1, PM, 12-tooth, Sintered SS - Optional

Face Gear

Item #	Part #	Qty	Description
0336	40122	1	Face Gear, Delrin, 1:1 - Standard
0336	40818	1	Face Gear, Delrin, 2:1 - Optional
0336	42907	1	Face Gear, SS, 2:1, 12-tooth - Optional
0336	42909	1	Face Gear, SS, 1:1, 24-tooth - Optional

MA-7 Meters (Class 10 & 12) Cont.

Drive Shaft

Item #	Part #	Qty	Description
0310	41786	2	Bushing, Drive Shaft
0382	48287	1	Adjuster Shaft
0574	02188	1	Retaining Ring, (0.25)

Dust Cover

Item #	Part #	Qty	Description
0366	49390	1	Cover Adjuster Plate
0630	09093	1	Screw (10-32 x .50)
0780	48864	1	Seal Wire Kit

Gear Plate

Part #	Qty	Description
G2146	1	1/10 Gallon, 1:1, 2%, without Preset - Standard
G2673	1	Whole Liters, 2:1, TVC, 2%, without Preset - Optional
G2102	1	Whole Gallon, 2:1, TVC, 2%, without Preset - Optional (Class 12)
G2322	1	5.18 lbs/Gallon, 2%, without Preset - Optional (Class 12)

Flange Assembly

Part #	Qty	Description
A2283	2	NI / UL Buna / 2" NPT - Standard
06854	2	O-ring, Buna - Standard

Counter

Part #	Qty	Description
D1111	1	1/10 Gallons - Standard
D1147	1	Whole Liters - Optional (Class 10 & 12)
D1131	1	Whole Gallons - Optional (Class 12)
D1151	1	Whole Pounds - Optional (Class 12)

Counter Assembly Adaptor

Item #	Part #	Qty	Description
0126	49434	1	Counter Adaptor Bracket
0375	48208	1	Retaining Spring
0603	06845	2	Screw (#10-24 x .375)
0673	09084	4	Screw (.250-20 x 1")
0705	06743	4	Flat Washer

M-10 Meters (Class 1 & 2)

APPLICABLE FOR METERS MANUFACTURED AFTER DEC. 7, 1994

Meter Element L2801 (Class 1), L2802 (Class 2)

Item #	Part #	Qty	Description
0110	49445	1	Housing
0144	47668	2	Bearing Plate (Front)
0153	48902	1	Rotor, Assembly, Blocking
0155	48366	2	Rotor, Assembly, Displacement
0161	47646	1	Gear, Blocking Rotor - Class 1
0161	48842	1	Gear Blocking Rotor - Class 2
0163	47647	2	Pinion Gear - Class 1
0163	48843	2	Pinion Gear - Class 2
0318	40665	4	Dowel Pin
0326	48756	1	Driver, Packing Gland
0528	48332	3	Key, Stainless Steel
0611	09079	10	Screw (#10-24 x .625)
0672	09187	1	Screw (.25-20 x 2.0)
0673	09170	2	Screw (.25-20 x .75 Lg)
0765	06174	1	Lock Washer (.25)
0771	48348	2	Rotor Gear Washer (.25 ID x .75 OD SST)
0372	49444	1	Nameplate
0678	00306	2	Drive screw for nameplate
0200	48496	1	Parts Manual

Cover Seal

Item #	Part #	Qty	Description
0430	09258	2	O-ring, Buna-N (6.25 ID) - Standard
0463	06856	1	O-ring (.88 ID Buna-N)
0430	06940	2	O-ring, Viton (6.25 ID) - Optional
0463	06191	1	O-ring (.88 ID Viton)
0430	07241	2	O-ring, Teflon (6.19 ID) - Optional
0463	06024	1	O-ring (.88 ID Teflon)

End Covers

Item #	Part #	Qty	Description
0123	48301	1	Cover, Front
0125	48302	1	Cover, Rear
0566	06790	2	Pipe Plug, (.250-18 NPT)
0627	09080	20	Screw (.312-18 x 1.375)

Adjuster

Item #	Part #	Qty	Description
0202	49403	1	Adjuster Assembly - Standard
0202	49405	1	Adjuster (High Temperature) - Optional

Packing Gland

Item #	Part #	Qty	Description
0250	48616	1	Packing Gland Kit (1:1 and 2:1 pinion gears), Buna - Standard
0250	48617	1	Packing Gland Kit (1:1 and 2:1 pinion gears), Viton - Optional
0250	48618	1	Packing Gland Kit (1:1 and 2:1 pinion gears), Teflon - Optional
0165	48284	1	Pinion Gear, PM, NS, 2:1, 12-tooth, - Standard
0165	48283	1	Pinion Gear, PM, NS, 1:1, 24-tooth, - Optional

Face Gear

Item #	Part #	Qty	Description
0336	40818	1	Face Gear, Delrin, 2:1 - Standard
0336	40122	1	Face Gear, Delrin, 1:1 - Optional
0336	42907	1	Face Gear, SS, 2:1, 12-tooth - Optional
0336	42909	1	Face Gear, SS, 1:1, 24-tooth - Optional

M-10 Meters (Class 1 & 2) Cont.

Drive Shaft

Item #	Part #	Qty	Description
0310	41786	2	Bushing, Drive Shaft
0382	48287	1	Adjuster Shaft
0574	02188	1	Retaining Ring, (0.25)

Dust Cover

Item #	Part #	Qty	Description
0366	49390	1	Cover Adjuster Plate
0630	09093	1	Screw (10-32 x .50)
0780	48864	1	Seal Wire Kit

Gear Plate

Part #	Qty	Description
G2132	1	1/10 Gallon, 2:1, without Preset - Standard
G2129	1	1/10 Gallon, 2:1, with Preset - Standard
G2106	1	Whole Gallon, 2:1, TVC, without Preset - Optional
G2112	1	Whole Gallon, 2:1, without Preset - Optional
G2681	1	Whole Liters, 2:1, without Preset - Optional
G2682	1	Whole Liters, 2:1, TVC, without Preset - Optional
G2105	1	Whole Gallon, 2:1, TVC, with Preset - Optional
G2109	1	Whole Gallon, 2:1, with Preset - Optional
G2680	1	Whole Liters, 2:1, with Preset - Optional

Flange Assembly

Part #	Qty	Description
A2210	2	Alum / Buna / 2" NPT - Standard
06854	2	O-ring, Buna - Standard
07025	2	O-ring, Viton - Optional
06664	2	O-ring, Teflon - Optional

Counter

Part #	Qty	Description
D1111	1	1/10 Gallons - Standard
D1131	1	Whole Gallons - Optional
D1147	1	Whole Liters - Optional

Counter Assembly Adaptor

Item #	Part #	Qty	Description
0126	49434	1	Counter Adaptor Bracket
0375	48208	1	Retaining Spring
0603	06845	2	Screw (#10-24 x .375)
0673	09084	4	Screw (.250-20 x 1")
0705	06743	4	Flat Washer

M-25 Meters (Class 1)

APPLICABLE FOR METERS MANUFACTURED AFTER APRIL 1, 2000

Meter Element L3255 (Class 1)

Item #	Part #	Qty	Description
0110	501154	1	Housing, Aluminum
0144	47676	2	Bearing Plate (Front and Rear)
0611	09079	12	Bearing Plate Screw (#10-24 x 5/8") with washer
0318	40864	4	Dowel Pin
0153	501026	1	Rotor, Blocking
0155	501028	2	Rotor, Displacement
0161	47421	1	Gear, Blocking Rotor, Ni-Resist
0163	47422	2	Gear, Displacement Rotor, SS
0528	501030	3	Key for Blocking and Displacement Rotors
0673	09170	2	Screw for Displacement Rotor (1/4-20 x 3/4")
0675	07483	1	Screw for Blocking Rotor (1/4-20 x 1")
0771	48348	2	Bellevue Washer for Displacement Rotor
0765	06174	1	Lock Washer for Blocking Rotor
0326	48756	1	Driver for Packing Gland
0372	49444	1	Nameplate
0678	00306	2	Driver screw for nameplate
0200	48684	1	Parts Manual

Cover Seal

Item #	Part #	Qty	Description
0430	09200	2	O-ring, Buna-N, Standard
0430	09320	2	O-ring, Viton, Optional
0430	09321	2	O-ring, Teflon, Optional

End Covers

Item #	Part #	Qty	Description
0123	501033	1	Cover, Front (M15 / M25)
0125	501034	1	Cover, Rear (M15 / M25)
0125	501143	1	Cover, Rear (M15 with POD Pulser)
0627	09080	18	End Cover Screw (5/16-18 x 1-3/8)
0566	06790	2	Plug, one for each cover (1/4-18 NPT)

Adjuster

Item #	Part #	Qty	Description
0202	49403	1	Adjuster Assembly - Standard
0202	49405	1	Adjuster (High Temperature) - Optional
0364	42660	1	Adjuster Mounting Plate
0609	00362	2	Screw, Mounting Plate (6-32 x 1/4")
0613	07063	1	Screw, Adjuster

Packing Gland

Item #	Part #	Qty	Description
0250	48616	1	Packing Gland Kit (1:1 and 2:1 pinion gears), Buna-N - Standard
0250	48617	1	Packing Gland Kit (1:1 and 2:1 pinion gears), Viton - Optional
0250	48618	1	Packing Gland Kit (1:1 and 2:1 pinion gears), Teflon - Optional
0165	48283	1	Pinion Gear, PM, 1:1, 24-tooth - Standard
0165	48284	1	Pinion Gear, PM, 2:1, 12-tooth - Optional

Face Gear

Item #	Part #	Qty	Description
0336	40122	1	Face Gear, Delrin, 1:1 24-tooth - Standard
0336	40818	1	Face Gear, Delrin, 2:1 12-tooth - Optional
0336	42909	1	Face Gear, SS, 1:1, 24-tooth - Optional
0336	42907	1	Face Gear, SS, 2:1, 12-tooth - Optional

M-25 Meters (Class 1) Cont.

Drive Shaft

Item #	Part #	Qty	Description
0574	02188	1	Retaining Ring (0.250)
0310	41786	2	Bushing, Drive Shaft
0382	48287	1	Adjuster Shaft

Dust Cover

Item #	Part #	Qty	Description
0366	49390	1	Dust Cover Plate
0630	09093	2	Screw, Dust Cover (10-32 x .50)
0850	42053	1	Label

Gear Plate

Part #	Qty	Description
G3126	1	Whole Gallon, 2:1, without Preset - Standard
G3125	1	Whole Gallon, 2:1, with Preset - Standard
G3124	1	Whole Gallon, 2:1, TVC, without Peset - Optional
G3517	1	Whole Liters, 1:1, without Preset - Optional
G3123	1	Whole Gallon, 2:1, TVC, with Preset - Optional
G3516	1	Whole Liters, 1:1, with Preset - Optional

Flange Assembly

Item #	Part #	Qty	Description
	A3230	2	Cast Iron / Buna / 3" NPT - Standard
0435	40871	2	Nitrile Rubber - Standard

Counter

Part #	Qty	Description
D1131	1	Whole Gallon - Standard
D1147	1	Whole Liters - Optional

Counter Assembly Adapter

Item #	Part #	Qty	Description
0126	49434	1	Counter Bracket
0673	09084	4	Screw, Counter Bracket (1/4-20 x 1")
0705	06743	4	Flat Washer (.265 ID)
0603	06845	2	Screw for Drive Shaft Bushing (10-24 x 3/8")
0375	48208	1	Retaining Spring

M-25 Meters (Class 2)

APPLICABLE FOR METERS MANUFACTURED AFTER JULY 1, 2000

Meter Element L3252 (Class 2)

Item #	Part #	Qty	Description
0110	43881	1	Housing, Aluminum
0144	47676	2	Bearing Plate (Front and Rear)
0611	09079	12	Bearing Plate Screw (#10-24 x 5/8") with washer
0318	40864	4	Dowel Pin
0153	501026	1	Rotor, Blocking
0155	501028	2	Rotor, Displacement
0161	47421	1	Gear, Blocking Rotor, Ni-Resist
0163	47422	2	Gear, Displacement Rotor, SS
0528	501030	3	Key for Blocking and Displacement Rotors
0673	09170	2	Screw for Displacement Rotor (1/4-20 x 3/4")
0675	07483	1	Screw for Blocking Rotor (1/4-20 x 1")
0771	48348	2	Bellevue Washer for Displacement Rotor
0765	06174	1	Lock Washer for Blocking Rotor
0326	48756	1	Driver for Packing Gland
0372	49444	1	Nameplate
0678	00306	2	Driver screw for nameplate
0200	48684	1	Parts Manual

Cover Seal

Item #	Part #	Qty	Description
0430	40862	2	Gasket, Buna-N, Standard

End Covers

Item #	Part #	Qty	Description
0123	43882	1	Cover, Front (M15 / M25)
0125	43883	1	Cover, Rear (M15 / M25)
0627	07440	18	End Cover Screw (5/16-18 x 1-1/4)
0566	04759	2	Plug, one for each cover (3/8-18 N.P.T)
0727	04656	18	Flat Washer
0603	06703	1	Set Screw (1/4-20 x 7/16)

Adjuster

Item #	Part #	Qty	Description
0202	49403	1	Adjuster Assembly - Standard
0202	49405	1	Adjuster (High Temperature) - Optional
0364	42660	1	Adjuster Mounting Plate
0609	00362	2	Screw, Mounting Plate (6-32 x 1/4")
0613	07063	1	Screw, Adjuster

Packing Gland

Item #	Part #	Qty	Description
0250	48616	1	Packing Gland Kit (1:1 and 2:1 pinion gears), Buna-N - Standard
0250	48617	1	Packing Gland Kit (1:1 and 2:1 pinion gears), Viton - Optional
0250	48618	1	Packing Gland Kit (1:1 and 2:1 pinion gears), Teflon - Optional
0165	48283	1	Pinion Gear, PM, 1:1, 24-tooth - Standard
0165	48284	1	Pinion Gear, PM, 2:1, 12-tooth - Optional

Face Gear

Item #	Part #	Qty	Description
0336	40122	1	Face Gear, Delrin, 1:1 24-tooth - Standard
0336	40818	1	Face Gear, Delrin, 2:1 12-tooth - Optional
0336	42909	1	Face Gear, SS, 1:1, 24-tooth - Optional
0336	42907	1	Face Gear, SS, 2:1, 12-tooth - Optional

M-25 Meters (Class 2) Cont.

Drive Shaft

Item #	Part #	Qty	Description
0574	02188	1	Retaining Ring (0.250)
0310	41786	2	Bushing, Drive Shaft
0382	48287	1	Adjuster Shaft

Dust Cover

Item #	Part #	Qty	Description
0362	40416	1	Dust Cover Plate
0630	04494	4	Screw, Dust Cover (10-24 x 3/8)
0850	42053	1	Label

Gear Plate

Part #	Qty	Description
G3126	1	Whole Gallon, 2:1, without Preset - Standard
G3125	1	Whole Gallon, 2:1, with Preset - Standard
G3124	1	Whole Gallon, 2:1, TVC, without Peset - Optional
G3517	1	Whole Liters, 1:1, without Preset - Optional
G3123	1	Whole Gallon, 2:1, TVC, with Preset - Optional
G3516	1	Whole Liters, 1:1, with Preset - Optional

Flange Assembly

Item #	Part #	Qty	Description
	A3230	2	Cast Iron / Buna / 3" NPT - Standard
0435	40871	2	Nitrile Rubber - Standard

Counter

Part #	Qty	Description
D1131	1	Whole Gallon - Standard
D1147	1	Whole Liters - Optional

M-30 Meters (Class 1, 2 & 3)

APPLICABLE FOR METERS MANUFACTURED AFTER JUNE 30, 2000

Meter Element L3403 (Class 1), L3426 (Class 2), L3436 (Class 3)

Item #	Part #	Qty	Description
0110	501184	1	Housing, M30 Aluminum, with O-Ring Grooves
0144	44102	2	Bearing Plate SV-1-2-3-14 N/S SC
0611	09098	16	Screw, .250-20 X 1.00 Hex Head, Sems, Frmg, SS
0318	40099	6	Pin, Dowel, .375 DIA 15/16" Large, 303 SS
0153	47574	1	Rotor Assy, Blocking Aluminum / 316 SS, HC
0155	47575	2	Rotor Assy, Displacement Aluminum / 316 SS, HC
0161	47385	1	Gear, Blocking Rotor M30, NOD Iron / Armoloy, Class 1
0161	47387	1	Gear, Blocking Rotor Gear-BR M30 Taper (Class 2 & 3)
0163	47386	2	Gear, Displacement Rotor, TPRD, M30 Duct Iron (Class 1)
0163	47388	2	Pinion, Displacement Rotor, Pinion-DR M30 TAPE (Class 2 & 3)
0528	07229	3	Key, Woodruff, .625 X .187, 18-8 SS
0673	07483	3	Screw, .250-20 X 1.00, Hex Socket Head Cap 316 SS
0771	48348	2	Washer, Rotor Gear .25 ID, 1.0 OD, 301 SS
0773	06174	3	Lock Washer, .250 Heavy HLCL SPR, 18-8 SS
0326	48844	1	Driver, M30 Packing Gland Sintered Stainless Steel
0372	49444	1	Nameplate, Meter Housing Serial Number
0678	00306	2	Screw, Driver #2 X .19 Type "U"
0200	48685	1	Parts Manual

Cover Seal

Item #	Part #	Qty	Description
0430	09324	2	O-ring, Buna-N, Standard
0430	09325	2	O-ring, Viton, Optional
0430	09326	2	O-ring, Teflon, Optional

End Covers

Item #	Part #	Qty	Description
0123	44103	1	Cover, Front
0125	501183	1	Cover, Rear
0566	04759	2	Plug, one for each cover (.375-18 NPT)
0603	06703	1	Screw (.250-20 X .437)
0627	09085	22	Screw (.375-16 X 1.75)

Adjuster

Item #	Part #	Qty	Description
0202	49403	1	Adjuster Assembly - Standard
0202	49405	1	Adjuster (High Temperature) - Optional

Packing Gland

Item #	Part #	Qty	Description
0250	48616	1	Packing Gland Kit (1:1 and 2:1 pinion gears), Buna-N - Standard
0250	48617	1	Packing Gland Kit (1:1 and 2:1 pinion gears), Viton - Optional
0250	48618	1	Packing Gland Kit (1:1 and 2:1 pinion gears), Teflon - Optional
0165	48283	1	Pinion Gear, PM, 1:1, 24-tooth - Standard
0165	48284	1	Pinion Gear, PM, 2:1, 12-tooth - Optional

Face Gear

Item #	Part #	Qty	Description
0336	40122	1	Face Gear, Delrin, 1:1 24-tooth - Standard
0336	40818	1	Face Gear, Delrin, 2:1 12-tooth - Optional
0336	42909	1	Face Gear, SS, 1:1, 24-tooth - Optional
0336	42907	1	Face Gear, SS, 2:1, 12-tooth - Optional

M-30 Meters (Class 1, 2 & 3) Cont.

Drive Shaft

Item #	Part #	Qty	Description
0574	02188	1	Retaining Ring (0.250)
0310	41786	2	Bushing, Drive Shaft
0382	48540	1	Adjuster Shaft

Dust Cover

Item #	Part #	Qty	Description
0362	46169	1	Plate Assembly, Adj Cover
0368	49368	1	Nameplate
0630	04494	4	Screw, Dust Cover (10-24 x .25)
0652	00306	4	Screw, Type "U" (2 X .19)

Gear Plate

Part #	Qty	Description
G4121	1	Whole Gallon, 2:1, without Preset - Standard
G4120	1	Whole Gallon, 2:1, with Preset - Standard
G4470	1	Dekaliters, 2:1, without Preset - Optional
G4410	1	Whole Liters, 1:1, without Preset - Optional
G4412	1	Whole Liters, 1:1 TVC, without Preset - Optional
G4478	1	Dekaliters, 2:1, TVC, with Preset - Optional
G4471	1	Dekaliters, 2:1, with Preset - Optional

Flange Assembly

Item #	Part #	Qty	Description
	A3230	2	Cast Iron / Buna / 4" NPT - Standard (Class 1) Optional (Class 3)
	A4235	2	Alum / Buna / 4" NPT - Standard (Class 2 & 3) Optional (Class 1)
	A4114	2	Alum / Buna / 3" Weld - Optional
	A4130	2	C.I. / Buna / 3" NPT - Optional (Class 1 & 3)
	A4135	2	Alum / Buna / 3" NPT - Optional
	A4140	2	C.I. / buna 3" BSPT - Optional (Class 1 & 3)
	A4180	2	Steel / Buna / 3" Weld - Optional
	A4214	2	Alum / Buna / 4" Weld - Optional
	A4225	2	Alum / Kingersil / 4" BSPT - Optional
	A4240	2	C.I. / Buna / 4" BSPT - Optional (Class 1 & 3)
	A4280	2	Steel / Buna / 4" Weld - Optional
	49436	2	Gasket, Flange; Buna - Standard
	46072	2	Gasket, Flange; Kingersil - Optional

Counter

Part #	Qty	Description
D1131	1	Whole Gallon - Standard
D1142	1	Dekaliters, Optional
D1147	1	Whole Liters - Optional

M-40 Meters (Class 1 & 2)

APPLICABLE FOR METERS MANUFACTURED AFTER JUNE 30, 2000

Meter Element L3477 (Class 1), L3484 (Class 2)

Item #	Part #	Qty	Description
0110	501184	1	Housing, M30 Aluminum, with O-Ring Grooves
0144	44117	2	Plate Assembly, Bearing SV-10-16 N/S SC
0611	09098	16	Screw, .250-20 X 1.00 Hex Head, Sems, Frmg, SS
0318	40099	6	Pin, Dowel, .375 DIA 15/16" Large, 303 SS
0153	47574	1	Rotor Assy, Blocking Aluminum / 316 SS, HC
0155	47575	2	Rotor Assy, Displacement Aluminum / 316 SS, HC
0161	48458	1	Gear, Blocking Rotor TPRD, M40, Duct Iron / Armoloy
0161	48460	1	Gear, Blocking Rotor M40 NIRESSIST
0163	48457	2	Gear, Displacement Rotor, TPRD, M40 Duct Iron / Armoloy
0163	48459	2	Pinion, Displacement Rotor, M40 Stainless Steel
0528	07229	3	Key, Woodruff, .625 X .187, 18-8 SS
0673	07483	3	Screw, .250-20 X 1.00, Hex Socket Head Cap 316 SS
0771	48348	2	Washer, Rotor Gear .25 ID, 1.0 OD, 301 SS
0773	06174	3	Lock Washer, .250 Heavy HLCL SPR, 18-8 SS
0326	48844	1	Driver, M30 Packing Gland Sintered Stainless Steel
0372	49444	1	Nameplate, Meter Housing Serial Number
0678	00306	2	Screw, Driver #2 X .19 Type "U"
0200	48685	1	Parts Manual

Cover Seal

Item #	Part #	Qty	Description
0430	09324	2	O-ring, Buna-N, Standard
0430	09325	2	O-ring, Viton, Optional
0430	09326	2	O-ring, Teflon, Optional

End Covers

Item #	Part #	Qty	Description
0123	44103	1	Cover, Front
0125	501183	1	Cover, Rear
0566	04759	2	Plug, one for each cover (.375-18 NPT)
0603	06703	1	Screw (.250-20 X .437)
0627	09085	22	Screw (.375-16 X 1.75)

Adjuster

Item #	Part #	Qty	Description
0202	49403	1	Adjuster Assembly - Standard
0202	49405	1	Adjuster (High Temperature) - Optional

Packing Gland

Item #	Part #	Qty	Description
0250	48616	1	Packing Gland Kit (1:1 and 2:1 pinion gears), Buna-N - Standard
0250	48617	1	Packing Gland Kit (1:1 and 2:1 pinion gears), Viton - Optional
0250	48618	1	Packing Gland Kit (1:1 and 2:1 pinion gears), Teflon - Optional
0165	48283	1	Pinion Gear, PM, 1:1, 24-tooth - Standard
0165	48284	1	Pinion Gear, PM, 2:1, 12-tooth - Optional

Face Gear

Item #	Part #	Qty	Description
0336	40122	1	Face Gear, Delrin, 1:1 24-tooth - Standard
0336	40818	1	Face Gear, Delrin, 2:1 12-tooth - Optional
0336	42909	1	Face Gear, SS, 1:1, 24-tooth - Optional
0336	42907	1	Face Gear, SS, 2:1, 12-tooth - Optional

M-40 Meters (Class 1 & 2) Cont.

Drive Shaft

Item #	Part #	Qty	Description
0574	02188	1	Retaining Ring (0.250)
0310	41786	2	Bushing, Drive Shaft
0382	48540	1	Adjuster Shaft

Dust Cover

Item #	Part #	Qty	Description
0362	46169	1	Plate Assembly, Adj Cover
0368	49368	1	Nameplate
0630	04494	4	Screw, Dust Cover (10-24 x .25)
0652	00306	4	Screw, Type "U" (2 X .19)

Gear Plate

Part #	Qty	Description
G4121	1	Whole Gallon, 2:1, without Preset - Standard
G4120	1	Whole Gallon, 2:1, with Preset - Standard
G4470	1	Dekaliters, 2:1, without Preset - Optional
G4410	1	Whole Liters, 1:1, without Preset - Optional
G4412	1	Whole Liters, 1:1 TVC, without Preset - Optional
G4478	1	Dekaliters, 2:1, TVC, with Preset - Optional
G4471	1	Dekaliters, 2:1, with Preset - Optional

Flange Assembly

Item #	Part #	Qty	Description
	A3230	2	Cast Iron / Buna / 4" NPT - Standard (Class 1)
	A4235	2	Alum / Buna / 4" NPT - Standard (Class 2) Optional (Class 1)
	A4114	2	Alum / Buna / 3" Weld - Optional
	A4130	2	C.I. / Buna / 3" NPT - Optional (Class 1)
	A4135	2	Alum / Buna / 3" NPT - Optional
	A4140	2	C.I. / buna 3" BSPT - Optional (Class 1)
	A4180	2	Steel / Buna / 3" Weld - Optional
	A4214	2	Alum / Buna / 4" Weld - Optional
	A4225	2	Alum / Kingersil / 4" BSPT - Optional
	A4240	2	C.I. / Buna / 4" BSPT - Optional (Class 1)
	A4280	2	Steel / Buna / 4" Weld - Optional
	49436	2	Gasket, Flange; Buna - Standard
	46072	2	Gasket, Flange; Kingersil - Optional

Counter

Part #	Qty	Description
D1131	1	Whole Gallon - Standard
D1142	1	Dekaliters, Optional
D1147	1	Whole Liters - Optional

M-60 Meters (Class 1 & 2)

APPLICABLE FOR METERS MANUFACTURED AFTER SEPT. 12, 2003

Meter Element L3502 (Class 1), L3521 (Class 2)

Item #	Part #	Qty	Description
0110	47067	1	Housing, M60/80 Meter AL Anodized / Standard
0144	49458	2	Bearing Plate Assembly, M60/MS75 Cl / Carbon (Class 1)
0144	47017	2	Bearing Plate Assembly, M60/MS75 NIRESIST (Class 2)
0611	09097	20	Screw, .312-18 X 1.00 Hex Head, Sems, Frmg, SS
0318	40099	8	Pin, Dowel, .375 DIA 15/16" Large, 303 SS
0153	47038	1	Rotor Assembly, Blocking M80
0155	47037	2	Rotor Assembly, Displacement M80
0161	46761	1	Gear, Blocking Rotor B/R/GR N/S M60 (Class 1)
0161	47011	1	Gear, Blocking Rotor M60 B/R/GR N/S (Class 2)
0163	46762	2	Pinion, Displacement Rotor, D/R/GR N/S M60 (Class 1)
0163	47012	2	Pinion, Displacement Rotor, D/R/GR N/S M60 (Class 2)
0528	07229	3	Key, Woodruff, .625 X .187, 18-8 SS
0635	07649	1	Screw, .250-20 X .437, Hex Socket Shoulder
0688	06169	3	Screw, .375-16 X 1.25, Hex Head Cap 316SS
0771	07600	3	Lock Washer, .375 ID Regular Helical, 316 SS
0556	09377	2	Pin, Grooved, 3/32" Dia. X 1/2" Long, .101 Dia.
0788	47020	3	Washer, Gear Retaining, .406 ID X 1.75 OD X .25
0343	47013	1	Gear, Drive M60
0342	47044	1	Gear Assembly, Output M60
0372	49444	1	Nameplate, Meter Housing Serial Number
0678	00306	2	Screw, Driver #2 X .19 Type "U"
0200	48686	1	Parts Manual

Cover Seal

Item #	Part #	Qty	Description
0430	47018	2	Gasket Cover, Buna - Standard
0463	06856	1	O-ring (.88 ID Buna-N)
0463	06191	1	O-ring, (.88 ID Viton) - Optional
0463	06024	1	O-ring, (.88 ID Teflon) - Optional

End Covers

Item #	Part #	Qty	Description
0123	47006	1	Cover, Front
0125	47005	1	Cover, Rear
0566	04759	4	Plug, one for each cover (.375-18 NPT)
0627	09086	48	Screw (.500-13 X 2.75)

Adjuster

Item #	Part #	Qty	Description
0202	49403	1	Adjuster Assembly - Standard
0202	49405	1	Adjuster (High Temperature) - Optional

Packing Gland

Item #	Part #	Qty	Description
0250	49525	1	Packing Gland Kit (1:1 and 2:1 pinion gears), Buna-N - Standard
0250	49526	1	Packing Gland Kit (1:1 and 2:1 pinion gears), Viton - Optional
0250	49527	1	Packing Gland Kit (1:1 and 2:1 pinion gears), Teflon - Optional
0165	48283	1	Pinion Gear, PM, 1:1, 24-tooth - Standard
0165	48284	1	Pinion Gear, PM, 2:1, 12-tooth - Optional

Face Gear

Item #	Part #	Qty	Description
0336	40122	1	Face Gear, Delrin, 1:1 24-tooth - Standard
0336	40818	1	Face Gear, Delrin, 2:1 12-tooth - Optional
0336	42909	1	Face Gear, SS, 1:1, 24-tooth - Optional
0336	42907	1	Face Gear, SS, 2:1, 12-tooth - Optional

M-60 Meters (Class 1 & 2) Cont.

Gear Plate

Part #	Qty	Description
G6120	1	Whole Gallon, 1:1, without Preset - Standard
G6121	1	Whole Gallon, 1:1, with Preset - Standard
G6410	1	Dekaliters, 1:1, without Preset - Optional
G6412	1	Dekaliters, 1:1 TVC, without Preset - Optional
G6413	1	Dekaliters, 1:1, TVC, with Preset - Optional
G6409	1	Dekaliters, 1:1, with Preset - Optional

Flange Assembly

Item #	Part #	Qty	Description
	A4230	2	Cast Iron / Nitrile Rubber / 4" NPT - Standard (Class 1)
	A4235	2	Alum / Nitrile Rubber / 4" NPT - Standard (Class 2)
	49436	2	Gasket, Flange; Nitrile Rubber - Standard
	46072	2	Gasket, Flange; Kingersil - Optional

Counter

Part #	Qty	Description
D1131	1	Whole Gallon - Standard
D1142	1	Dekaliters, Optional

Counter Assembly Adapter

Item #	Part #	Qty	Description
0113	47007	1	Housing, Adjuster
0310	47459	1	Bushing Assembly
0362	47022	1	Plate, Adjuster Cover
0382	48538	1	Shaft, Adjuster Drive
0534	04455	1	Retaining Ring (.187)
0574	02188	1	Retaining Ring (.25)
0575	47019	1	Spring, Adjuster
0603	06845	2	Screw (#10-24 X .375)
0630	04494	6	Screw (#10-24 X .25)
0685	01127	4	Screw (.312-18 X 1")
0727	06019	4	Lock Washer (.31)
0756	V1025	1	Washer, Flat Steel

M-80 Meters (Class 2)

APPLICABLE FOR METERS MANUFACTURED AFTER SEPT. 12, 2003

Meter Element L3550 (Class 2)

Item #	Part #	Qty	Description
0110	47000	1	Housing, M60/80 Meter AL/6" Victaulic
0144	47062	2	Bearing Plate, M60 Front NIRESIST / Carbon
0611	09097	20	Screw, .312-18 X 1.00 Hex Head, Sems, Frmg, SS
0318	40099	8	Pin, Dowel, .375 DIA 15/16" Large, 303 SS
0153	47038	1	Rotor Assembly, Blocking M80
0155	47037	2	Rotor Assembly, Displacement M80
0161	47036	1	Gear, Blocking Rotor M80
0163	47035	2	Pinion, Displacement Rotor, M80
0528	07229	3	Key, Woodruff, .625 X .187, 18-8 SS
0635	07649	1	Screw, .250-20 X .437, Hex Socket Shoulder
0688	06169	3	Screw, .375-16 X 1.25, Hex Head Cap 316SS
0771	07600	3	Lock Washer, .375 ID Regular Helical, 316 SS
0556	09377	2	Pin, Grooved, 3/32" Dia. X 1/2" Long, .101 Dia.
0788	47020	3	Washer, Gear Retaining, .406 ID X 1.75 OD X .25
0343	47013	1	Gear, Drive M60
0342	47044	1	Gear Assembly, Output M60
0372	49444	1	Nameplate, Meter Housing Serial Number
0678	00306	2	Screw, Driver #2 X .19 Type "U"
0200	48686	1	Parts Manual

Cover Seal

Item #	Part #	Qty	Description
0430	47018	2	Gasket Cover, Buna - Standard
0463	06856	1	O-ring (.88 ID Buna-N)
0463	06191	1	O-ring, (.88 ID Viton) - Optional
0463	06024	1	O-ring, (.88 ID Teflon) - Optional

End Covers

Item #	Part #	Qty	Description
0123	47006	1	Cover, Front
0125	47005	1	Cover, Rear
0566	04759	4	Plug, one for each cover (.375-18 NPT)
0627	09086	48	Screw (.500-13 X 2.75)

Adjuster

Item #	Part #	Qty	Description
0202	49403	1	Adjuster Assembly - Standard
0202	49405	1	Adjuster (High Temperature) - Optional

Packing Gland

Item #	Part #	Qty	Description
0250	49525	1	Packing Gland Kit (1:1 and 2:1 pinion gears), Buna-N - Standard
0250	49526	1	Packing Gland Kit (1:1 and 2:1 pinion gears), Viton - Optional
0250	49527	1	Packing Gland Kit (1:1 and 2:1 pinion gears), Teflon - Optional
0165	48283	1	Pinion Gear, PM, 1:1, 24-tooth - Standard
0165	48284	1	Pinion Gear, PM, 2:1, 12-tooth - Optional

M-80 Meters (Class 2) Cont.

Face Gear

Item #	Part #	Qty	Description
0336	40122	1	Face Gear, Delrin, 1:1 24-tooth - Standard
0336	40818	1	Face Gear, Delrin, 2:1 12-tooth - Optional
0336	42909	1	Face Gear, SS, 1:1, 24-tooth - Optional
0336	42907	1	Face Gear, SS, 2:1, 12-tooth - Optional

Gear Plate

Part #	Qty	Description
G6120	1	Whole Gallon, 1:1, without Preset - Standard
G6121	1	Whole Gallon, 1:1, with Preset - Standard
G6410	1	Dekaliters, 1:1, without Preset - Optional
G6412	1	Dekaliters, 1:1 TVC, without Preset - Optional
G6413	1	Dekaliters, 1:1, TVC, with Preset - Optional
G6409	1	Dekaliters, 1:1, with Preset - Optional

Counter

Part #	Qty	Description
D1131	1	Whole Gallon - Standard
D1142	1	Dekaliters, Optional

Counter Assembly Adapter

Item #	Part #	Qty	Description
0113	47007	1	Housing, Adjuster
0310	47459	1	Bushing Assembly
0362	47022	1	Plate, Adjuster Cover
0382	48538	1	Shaft, Adjuster Drive
0534	04455	1	Retaining Ring (.187)
0574	02188	1	Retaining Ring (.25)
0575	47019	1	Spring, Adjuster
0603	06845	2	Screw (#10-24 X .375)
0630	04494	6	Screw (#10-24 X .25)
0685	01127	4	Screw (.312-18 X 1.25)
0727	06019	4	Lock Washer (.31)
0756	V1025	1	Washer, Flat Steel



**Backed by our Worldwide reputation for
Quality, Accuracy and Advanced Design.**



LIQUID CONTROLS

A Unit of IDEX Corporation
105 Albrecht Drive
Lake Bluff, IL 60044-2242
1.800.458.5262 • 847.295.1050
Fax: 847.295.1057
www.lcmeter.com

© 2004 Liquid Controls
(04/04)

