



Wiring Instructions

Remote-Mount Large Numerical Counters

Manual-Reset Models (E1600X5) & Auto-Reset Models (E1600X2)



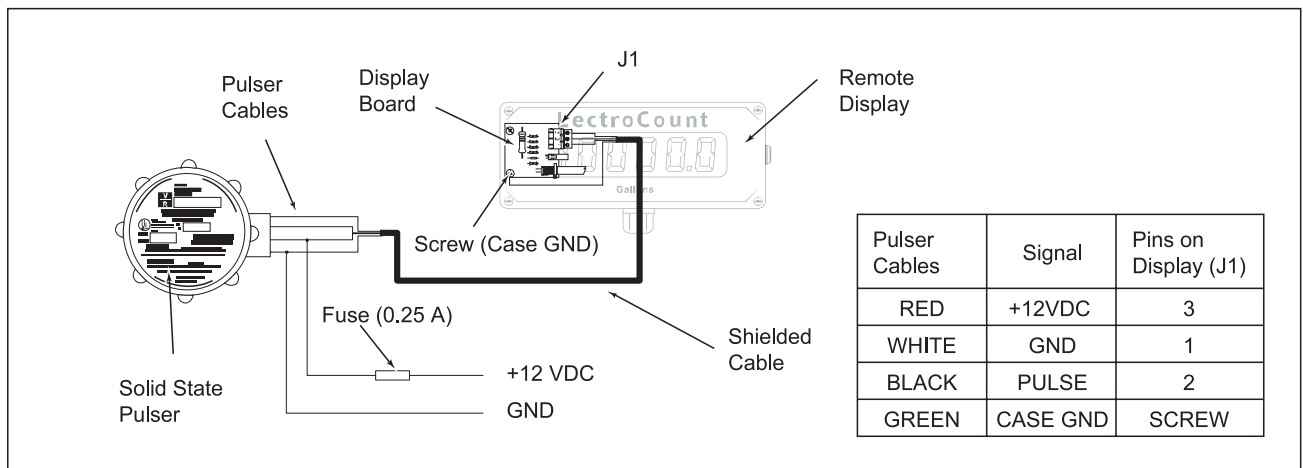
The **Remote-Mount Large Numerical Counter** is designed for use with Liquid Controls products. The unit features a NEMA 4X enclosure and is suitable for applications in ambient temperatures from -40°F to $+70^{\circ}\text{F}$ (-40°C to 21.1°C). Units are designed for Class 1, Division 2 environments.

Wiring Instructions

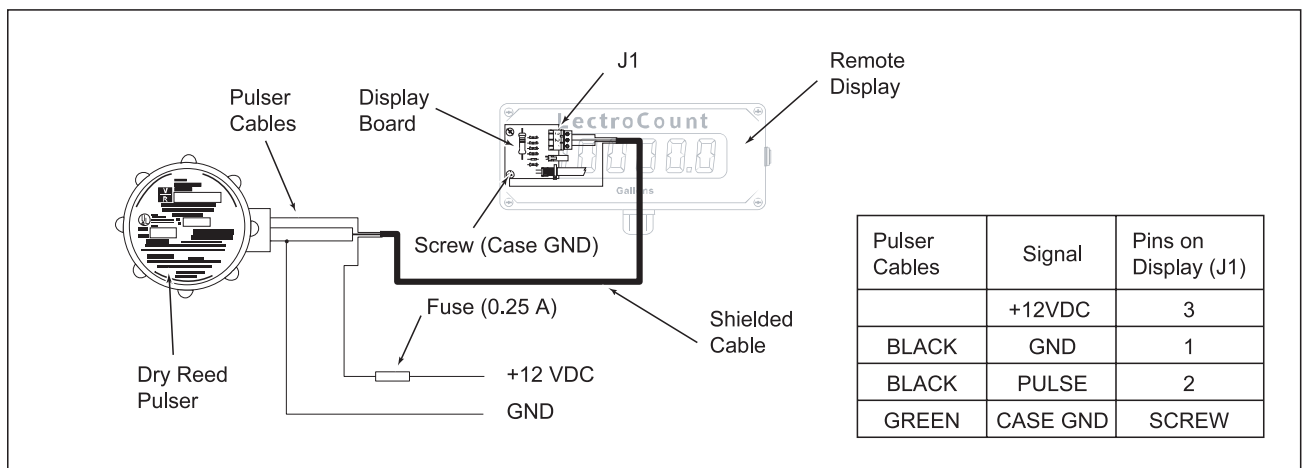
The Remote-Mount Large Numerical Counter should be electrically connected as shown in the applicable wiring diagrams. The cable required is 4-conductor, shielded, 22 AWG minimum (supplied by customer). Maximum cable length is 50 feet.

Manual-Reset Models

Manual-Reset Counter Connected to a Solid State Pulsar (P.N. 07525)

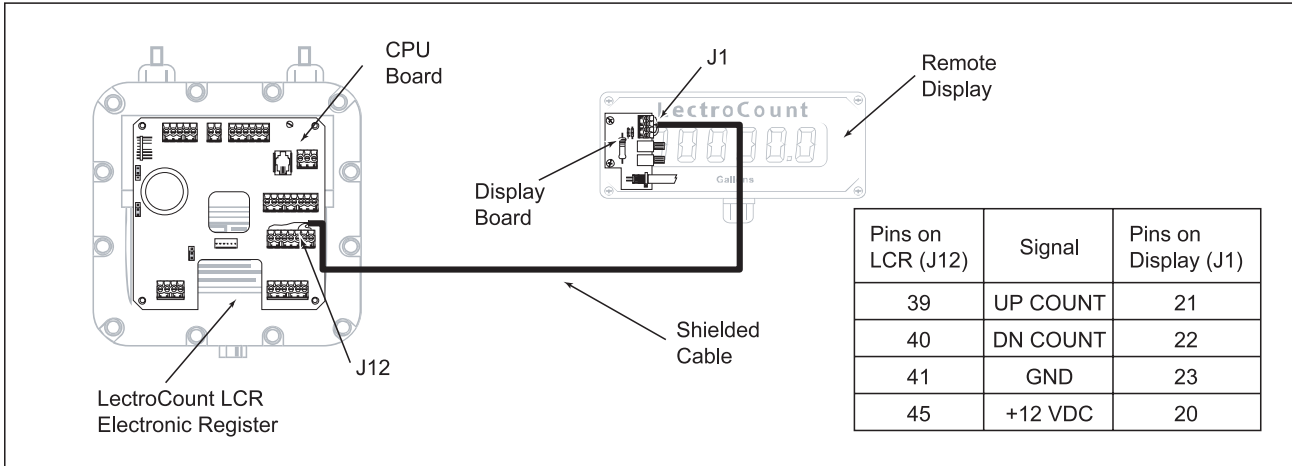


Manual-Reset Counter Connected to a Dry Reed Pulsar (P.N. 07382 or 07381)

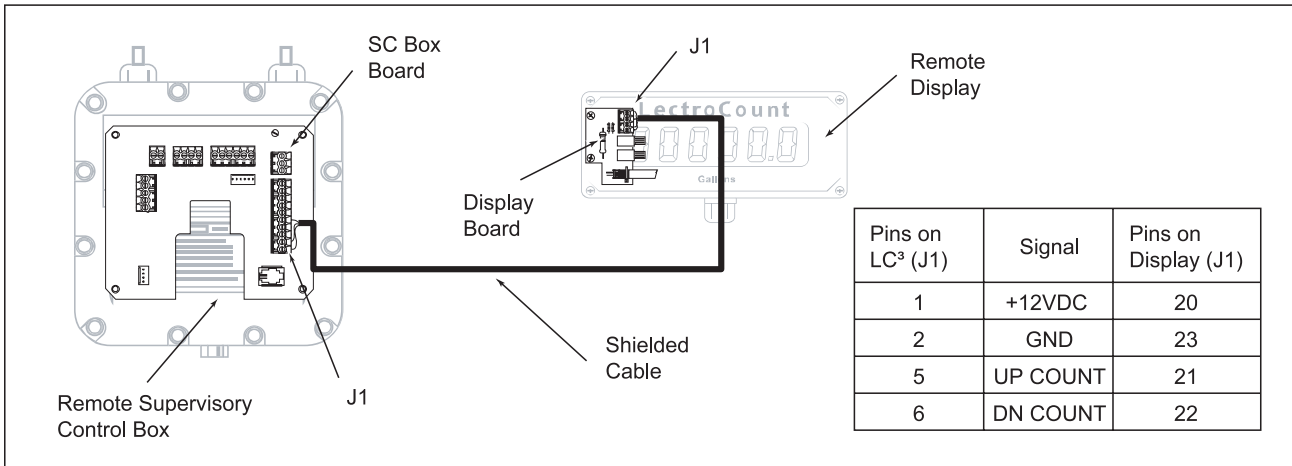


Auto-Reset Models

Auto-Reset Counter Connected to LectroCount LCR



Auto-Reset Counter Connected to LectroCount LC³



LIQUID CONTROLS

A Unit of IDEX Corporation
 105 Albrecht Drive
 Lake Bluff, IL 60044-2242
 1.800.458.5262 • 847.295.1050
 Fax: 847.295.1057
 www.lcmeter.com

© 2003 Liquid Controls
 Pub. No. 500175
 (11/03)

