



# Installation Manual

## Mechanical Rate of Flow Indicator

### Eddy Current Type

**LIQUID  
CONTROLS**  
A Unit of IDEX Corporation

**IDEX**  
IDEX CORPORATION

## Features

- Smooth, noiseless operation.
- Instantaneous response.
- No point fluctuation.
- Negligible torque.
- All ranges start at zero.
- Available for all meter sizes.

## Materials

Cast Aluminum case.  
Ball bearings throughout.

## Mounting

Mounted on a specially designed adjuster cover with a standard pinion gear fastened to the tach drive shaft. The tach is driven off the meter drive shaft by a standard face gear.

## Standard Dial Faces

GPM, LITRES / minute, and DEKALITRES / minute at rated flow of the individual meters.

## Flow of LC Meter for Tach

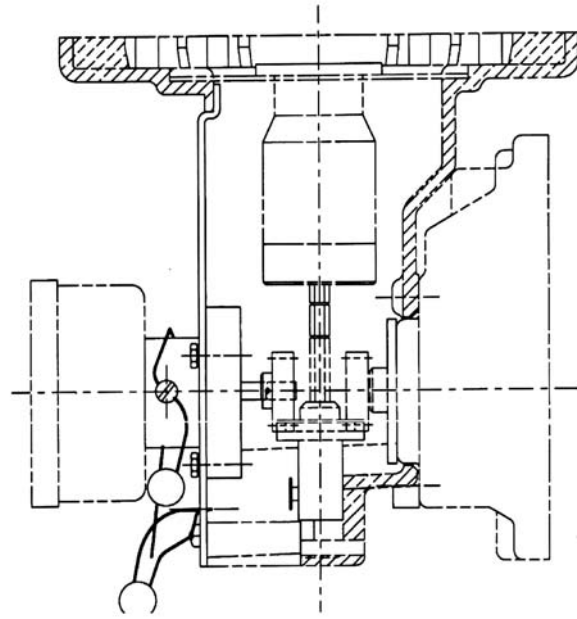
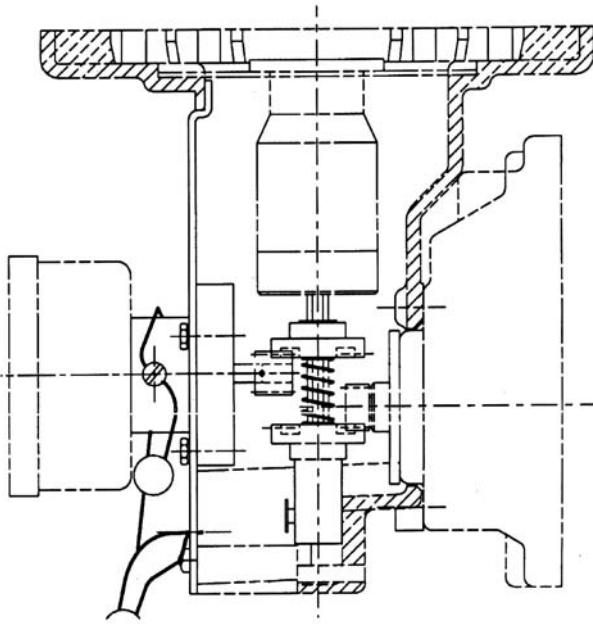
This tach is unidirectional so the direction of flow must be stated on the order for the Liquid Controls Meter.

If LC Meter flow direction is changed in the field, consult the factory for proper changeover procedure. Do not run tach backwards, as this will damage this precision unit. On all new mechanical tach deliveries, start up meter on low flow to determine if tach is indicating proper direction.



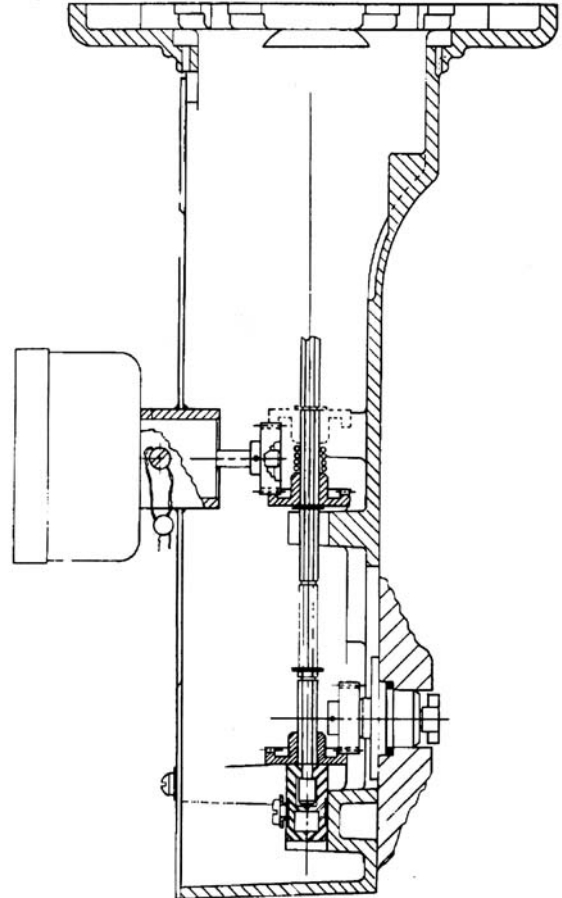
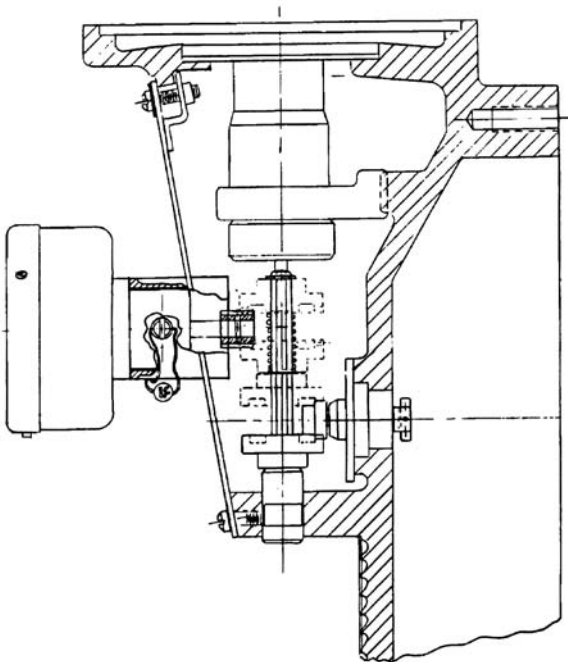
**M-5, M-7, M-10, M-15, M-25**

---



**M-30, M-40**

**M-60, M-80, MS-7, MS-15, MS-30**



# Meters Calibrated in U.S. Gallons, Dekalitres & Litres

---

## Mounting Kits for Rate of Flow Indicators

Part No.	Description
46344	Mounting Kit for M-15 & M-25 Right to Left Flow 2:1 P/G
46344-1	Mounting Kit for M-15 & M-25 Right to Left Flow 1:1 P/G
46345*	Mounting Kit for M-15 & M-25 Left to Right Flow 2:1 P/G
46345-1*	Mounting Kit for M-15 & M-25 Left to Right Flow 1:1 P/G
46346	Mounting Kit for M-30 & M-40 Aluminum Cased Meters 2:1 P/G
46346-1	Mounting Kit for M-30 & M-40 Aluminum Cased Meters 1:1 P/G
46350	Mounting Kit for M-30 Cast Iron, M-60, 80 & MS-7, 15, 30 & 40 1:1 P/G
46350-1	Mounting Kit for M-30 Cast Iron, M-60, 80 & MS-7, 15, 30 & 40 2:1 P/G
46374	Mounting Kit for MS-75 & 120 1:1 P/G
46374-1	Mounting Kit for MS-75 & 120 2:1 P/G
49504	Mounting Kit for M-5 current production Left to Right Flow 1:1 P/G
49505	Mounting Kit for M-5 current production Left to Right Flow 2:1 P/G
49506*	Mounting Kit for M-5 current production Right to Left Flow 1:1 P/G
49507*	Mounting Kit for M-5 current production Right to Left Flow 2:1 P/G
49508*	Mounting Kit for M-7 current production Left to Right Flow 1:1 P/G
49509*	Mounting Kit for M-7 current production Left to Right Flow 2:1 P/G
49510	Mounting Kit for M-7 current production Right to Left Flow 1:1 P/G
49511	Mounting Kit for M-7 current production Right to Left Flow 2:1 P/G

\* Requires pattern 10, 30 or 50 gear plate in register except when swivel adapter is used.

---

## Rate of Flow Tachometers

Part No.	Description
49360	Tachometer M-5, MA-4 & 5 US Gallons and Litres / Min.
49361	Tachometer M-7, MA-7 & MS-7 US Gallons and Litres / Min.
49362	Tachometer M-15, 25 & MS-15 US Gallons and Litres / Min.
49363	Tachometer M-30, 40 & MS-30, 40 US Gallons and Litres / Min.
49364	Tachometer M-60 & 80 US Gallons and Litres / Min.
49365	Tachometer MS-75 US Gallons and Litres / Min.
49366	Tachometer M-120 US Gallons and Litres / Min.



**Backed by our Worldwide reputation for  
Quality, Accuracy and Advanced Design.**



**LIQUID CONTROLS**

A Unit of IDEX Corporation  
105 Albrecht Drive  
Lake Bluff, IL 60044-2242  
1.800.458.5262 • 847.295.1050  
Fax: 847.295.1057  
www.lcmeter.com

© 2004 Liquid Controls  
Pub. No. 48999  
(04/04)

