

LectroCount LCR
With Large Numeral Counter

**LIQUID
CONTROLS**
A Unit of IDEX Corporation



Exploded View LectroCount LCR Parts

NOTES:

- ⚠ WHENEVER MAKING CONNECTIONS OR INSTALLING CABLES, USE RTV SEALANT (07707) TO SEAL PARTS.
- ⚠ WHENEVER INSTALLING PROBE, USE THERMOWELL COMPOUND (42527)

- 815921 COUNTER NAMEPLATE (GROSS GALLONS)
- 815922 COUNTER NAMEPLATE (NET GALLONS)
- 815923 COUNTER NAMEPLATE (GROSS LITRES)
- 815924 COUNTER NAMEPLATE (NET LITRES)
- 815925 COUNTER NAMEPLATE (POUNDS)
- 815926 COUNTER NAMEPLATE (KILOGRAMS)

81581 FIBER OPTIC CABLE ASSY.

81330 COILED CABLE FOR COUNTER

81382 ENCODER

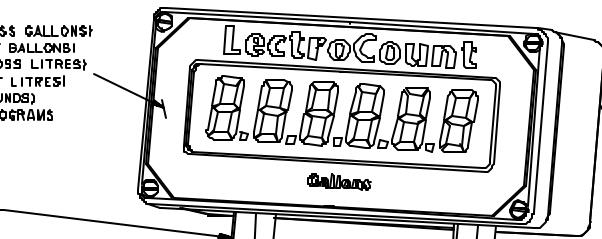
81494 LCR CONTROL SWITCH WITH HARNESS

07185 BUNA O-RING

81133 COVER SWITCH MOUNTING SCREWS (4)

81397 LCR CONTROL SWITCH COVER PLATE

70471 CONTROL SWITCH KNOB



81394 COUNTER ASSY.

81017 BACKLIGHT HARDWARE MOUNTING POST

08173 SCREW REC LID (8)
07087 WASHER (8)

08184 SCREW W/HOLE FOR SEAL REC LID (2)
07387 WASHER (2)

81376 PLUG (USED WHEN THERE IS NO ENCODER)

07900 O-RING

81584 ENCODER HARNESS

08148 CIRCUIT BOARD MOUNTING SCREWS (4)

81547 LCR PCB BOARD

06946 PIN COTTER

09272 D-RING

04771 FLAT WASHER

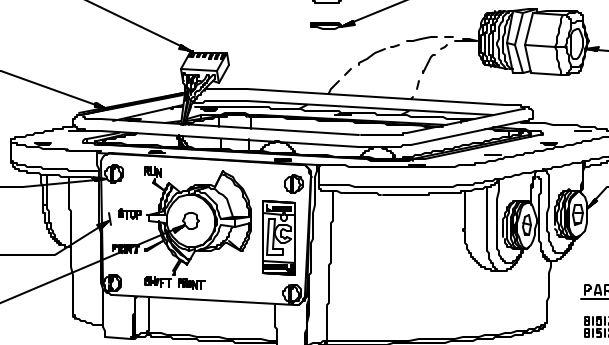
71004 1/2" NPT CORD GRIP LIQUIDTITE FOR CDRD RANGE DIA 1/8"-1/4" ⚠

71006 1/2" NPT CORD GRIP LIQUIDTITE FOR CDRD RANGE DIA 1/4"-3/8" ⚠

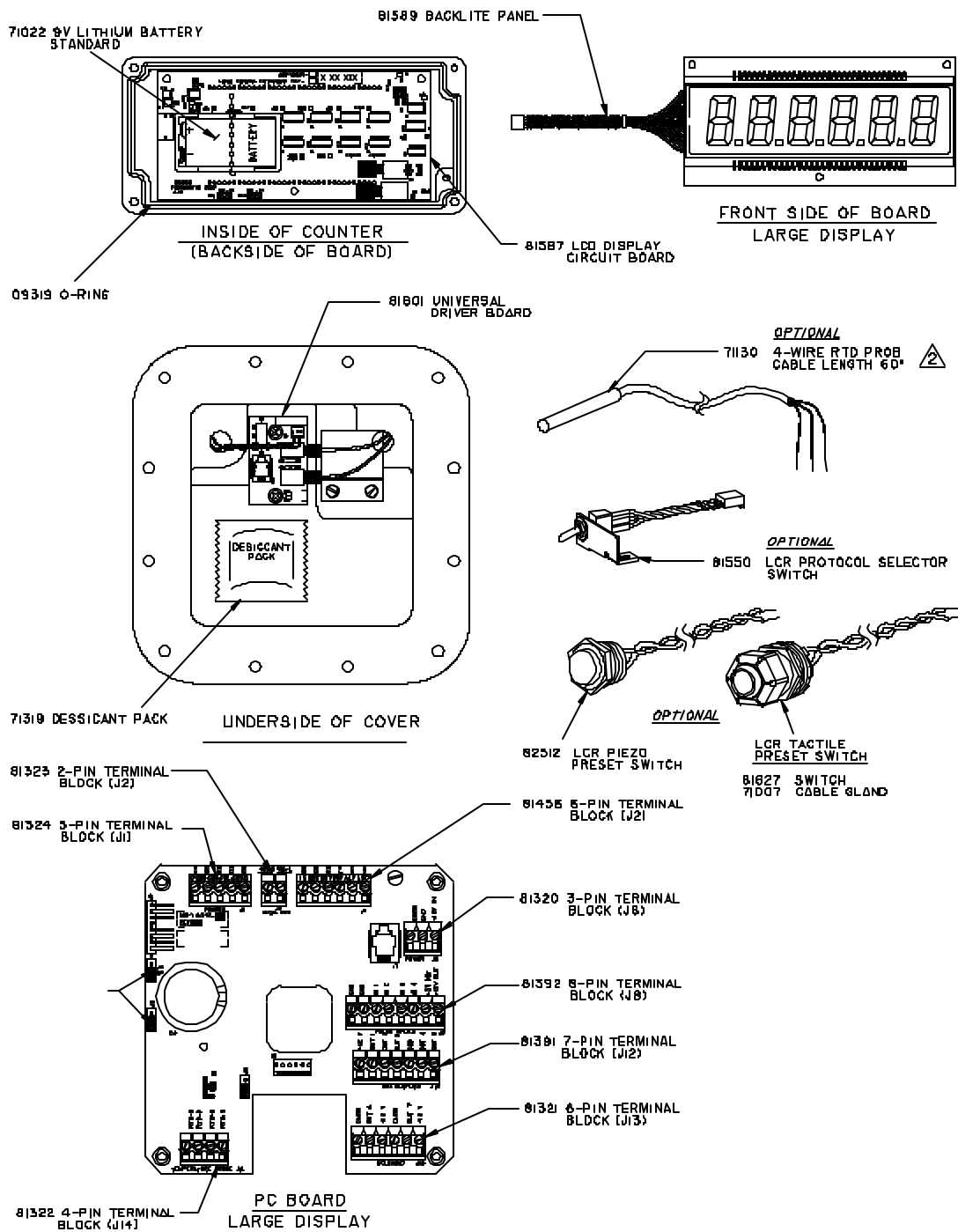
07223 1/2" NPT PIPE PLUG ⚠

PARTS NOT SHOWN:

- 81013-404 PRINTER/LAPPAD CABLE (40 FT)
- 81512 POWER CABLE (40 FT)



Exploded View LectroCount LCR Parts



SOLD AND SERVICED BY A NETWORK OF HIGHLY TRAINED FUJI SERVICE DISTRIBUTORS



Backed By Our Worldwide Reputation For
Quality, Accuracy and Advanced Design.

Warranty:

Liquid Controls, ("Seller") products are warranted against defects in materials or workmanship for a period of one (1) year from date of installation, provided that the warranty shall not extend beyond twenty-four (24) months from the date of original shipment from seller. Seller's obligations, set forth below, shall apply only to failure(s) to meet the foregoing obligations provided that seller is given written notice within (30) days of any occurrence from which a claim of defect arises. If a warranty dispute occurs, the purchaser shall be required to provide Seller with proof of date of sale. The minimum requirement to establish date of sale shall be a copy of the Seller's invoice. In the event that a factory inspection by Seller or its designee(s) supports the validity of a claim, at the discretion of Seller, repair, replacement or refund shall be sole remedy for defect

and shall be made, free of charge, ex-works factory. In no event shall Seller be liable for any special, consequential, incidental, indirect or exemplary damages arising out of warranty, contract, tort, (including negligence) or otherwise, including but not limited to, loss of profit or revenue, loss of use of the product or any associated products and/or equipment, cost of substitute goods or services, downtime costs or claims of or by Purchaser's clients or customers. In any event, the total liability of Seller for any and all claims arising out of or resulting from the performance, non-performance or use of the product shall not exceed the purchase price of the individual product giving rise to the claim. All other guaranties, warranties, conditions and representations, either express or implied, whether arising under any statute, common law, commercial usage or otherwise are excluded. Electronic Products require

Installation, start-up and servicing by local factory-trained service representatives. In the absence of installation, start-up and servicing of Electronic Products by Seller trained service representatives, this warranty is null and void. Seller's obligations as set forth above shall not apply to any product, or, or any component part thereof, which is not properly installed, used, maintained or repaired, or which is modified other than pursuant to Seller's instructions or approval. NOTE: The above warranty applies only to products manufactured by Liquid Controls, Lake Bluff, Illinois. Private label, OEM, and/or products manufactured by Liquid Controls licensee(s) are specifically excluded from the above warranty. Consult the factory for all non-Liquid Controls manufacturers' warranties. NO IMPLIED OR STATUTORY WARRANTIES OF MERCHANTABILITY OR FITNESS FOR A PARTICULAR PURPOSE SHALL APPLY.

**LIQUID
CONTROLS**

A Unit of IDEX Corporation



LIQUID CONTROLS, INC.
A Unit of IDEX Corporation
105 Albrecht Drive
Lake Bluff, IL 60044-2242
(847) 295-1050
FAX: (847) 295-1057
Website: www.lcmeter.com

Distributed By:

ISO 9001



DNV

CERTIFICATED FIRM
Certificate No. 97-HOU-AQ-8732