

# SPECIFICATIONS

## *LectroCount LCR-II™* *Electronic Register*

**LIQUID  
CONTROLS**  
A Unit of IDEX Corporation

**IDEX**  
IDEX CORPORATION

The *LectroCount LCR-II™* is a microprocessor based electronic register that offers advanced operating features including:

- Full Weights & Measures Approvals
- Class I, Division 2, Group C & D weatherproof enclosure
- NEMA 4X enclosure with hinged display panel featuring single connection latch bolt, Weights & Measures sealable
- (2) 3/4" and (5) 1/2" conduit connections
- Operation with most flowmeters. *LCR-II™* accepts input from PD, Amplified Turbine, Electromagnetic and Mass flowmeters.
- Multi-Point Calibration
- Multiple Product Selection (up to 4 products)
- Optional Electronic Temperature Volume Compensation (ETVC)
- Large character, backlit LCD display
- 10 digit totalizer
- Two control buttons on front panel providing:
  - "SELECT" for accessing internal menus
  - "INCREASE" for adjusting programmable data
  - Field calibration without a Lap Pad
  - Programmable preset without a Lap Pad
  - Push Button viewing of Flowrate, temperature and time
  - Field settable clock



### Specifications

#### Environmental:

Enclosure: Class I, Division 2, Group C & D  
NEMA 4X  
Operating Temp. Range: -40° to 158°F (-40° to 70°C)

#### Approvals:

US Weights & Measures NTEP COC 86-022  
Canada Weights and Measures Pending

#### Communications:

RS232/485, Lap Pad  
Hand Held, PC

#### Printer:

Epson Model 295, etc.

#### Electrical:

Power: +9 to 28 VDC, 3A Maximum (including solenoid valves)

#### Inputs:

Temperature Input: 4-Wire Platinum RTD  
Pulse Inputs: +5 to 28-volt peak to peak, open collector  
Single Channel or Quadrature  
0-1500 Hz per Channel

#### Outputs:

Control Valve (2): Open drain transistor for 2-stage valve control,  
1 A Max. per channel

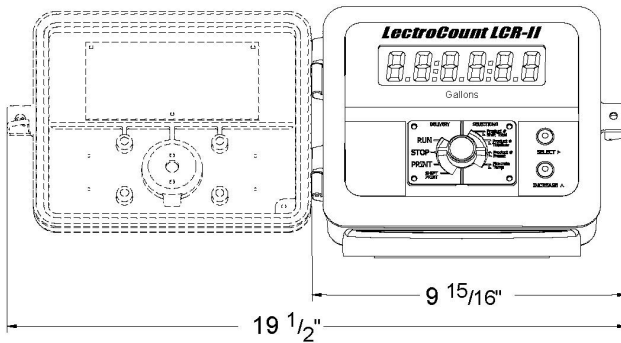
#### Auxiliary (2):

Open drain transistor for general-purpose  
auxiliary control. Aux (1), 1 A Max  
Aux. (2), 150 mA Max.

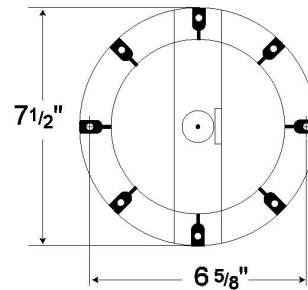
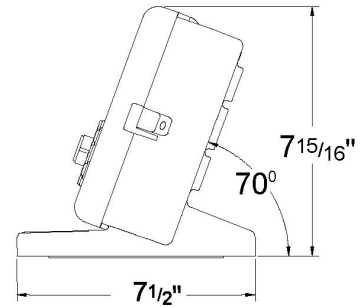
Scaled Pulse Output: Open drain output, 1 A Max.

# SPECIFICATIONS

## Dimensions (inches)



Enclosure Opened



Bottom Hole Locations

NOTE: Dimensions shown are not for construction use.  
Consult factory when certified Engineering Prints are required.

**LIQUID  
CONTROLS**  
A Unit of IDEX Corporation

**IDEX**  
IDEX CORPORATION



**LIQUID CONTROLS, INC.**  
A Unit of IDEX Corporation  
105 Albrecht Drive  
Lake Bluff, IL 60044-2242  
(847) 295-1050  
FAX: (847) 295-1057  
Website: [www.lcmeter.com](http://www.lcmeter.com)

Distributed By:

